

EUROCRAFT INDUSTRIES INC.

SERIES 600 COMMERCIAL DOOR (HVHZ)(IMPACT)

GENERAL NOTES:

- THE PRODUCT SHOWN HEREIN IS DESIGNED AND MANUFACTURED TO COMPLY WITH THE CURRENT EDITION FLORIDA BUILDING CODE (FBC) INCLUDING HVHZ. ALL PRODUCTS UNDER THE SCOPE OF THIS DOCUMENT HAVE BEEN EVALUATED ACCORDING TO THE FOLLOWING:
 - ASTM E283-04
 - ASTM E331-00(09)
 - ASTM E1886-13a
 - ASTM E1996-14a
 - TAS 201-94
 - TAS 202-94
 - TAS 203-94
- ADEQUACY OF THE EXISTING STRUCTURAL CONCRETE/MASONRY, 2X AND METAL STUD FRAMING AS A MAIN WIND FORCE RESISTING SYSTEM CAPABLE OF WITHSTANDING AND TRANSFERRING APPLIED PRODUCT LOADS TO THE FOUNDATION IS THE RESPONSIBILITY OF THE ENGINEER OR ARCHITECT OF RECORD FOR THE PROJECT OF INSTALLATION.
- 1X AND 2X BUCKS (WHEN USED) SHALL BE DESIGNED AND ANCHORED TO PROPERLY TRANSFER ALL LOADS TO THE STRUCTURE. BUCK DESIGN AND INSTALLATION IS THE RESPONSIBILITY OF THE ENGINEER OR ARCHITECT OF RECORD FOR THE PROJECT OF INSTALLATION.
- INSTALL INDIVIDUAL INSTALLATION ANCHORS WITHIN A TOLERANCE OF $\pm 1/4$ INCH OF THE DEPICTED LOCATION IN THE ANCHOR LAYOUT DETAIL (I.E., WITHOUT CONSIDERATION OF TOLERANCES). TOLERANCES ARE NOT CUMULATIVE FROM ONE INSTALLATION ANCHOR TO THE NEXT.
- THE INSTALLATION DETAILS DESCRIBED HEREIN ARE GENERIC AND MAY NOT REFLECT ACTUAL CONDITIONS FOR A SPECIFIC SITE. IF SITE CONDITIONS CAUSE INSTALLATION TO DEVIATE FROM THE REQUIREMENTS DETAILED HEREIN, A LICENSED ENGINEER OR ARCHITECT SHALL PREPARE SITE SPECIFIC DOCUMENTS FOR USE WITH THIS DOCUMENT IN HVHZ AREAS.
- APPROVED IMPACT PROTECTIVE SYSTEM **IS NOT REQUIRED** TO PROTECT THIS PRODUCT IN AREAS REQUIRING IMPACT RESISTANCE.
- WINDOW FRAME MATERIAL: ALUMINUM 6005-T5 & 6063-T6
- GLASS MEETS THE REQUIREMENTS OF ASTM E1300 GLASS CHARTS. SEE SHEET 2 FOR GLAZING DETAILS.

TABLE OF CONTENTS	
SHEET	DESCRIPTION
1	GENERAL NOTES
2	GLAZING DETAILS
3	ELEVATIONS (10')
4	ELEVATIONS (10' WITH TRANSOM)
5	ELEVATIONS (8')
6	ELEVATIONS(8' WITH TRANSOM)
7	VERTICAL SECTIONS
8	HORIZONTAL SECTIONS
9	HORIZONTAL SECTIONS
10	HARDWARE OPTIONS
11	MULLION LOAD JAMB CAPACITY
12	INSTALLATION NOTES AND ANCHOR DETAILS
13	BILL OF MATERIALS
14	COMPONENTS

DESIGN PRESSURE RATING		
GLAZING TYPE	MAX DESIGN PRESSURE	MISSILE RATING
G-1,G-2,G-3 & G-4	SEE SHEET 3-6 FOR DESIGN PRESSURE TABLE	LARGE & SMALL IMPACT



7905 NW 77TH AVE
MEDLEY, FL 33166
PH: (305) 713-1871 FX: (305) 713-1872

TITLE: SERIES 600 OUTSWING
COMMERCIAL DOOR
(HVHZ)(IMPACT)

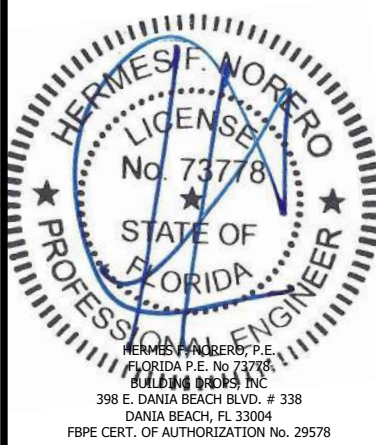
GENERAL NOTES

PREPARED BY:
BUILDING DROPS, INC.
398 E. DANIA BEACH BLVD., STE. 338
DANIA BEACH, FL 33004
PH: (954)399-8478
FAX: (954)744-4738
WEB: www.buildingdrops.com



REMARKS	BY	DATE

THE INSTALLATION DETAILS DESCRIBED HEREIN ARE GENERIC AND MAY NOT REFLECT ACTUAL CONDITIONS FOR A SPECIFIC SITE. IF SITE CONDITIONS CAUSE INSTALLATION TO DEVIATE FROM THE REQUIREMENTS DETAILED HEREIN, A LICENSED ENGINEER OR ARCHITECT SHALL PREPARE SITE SPECIFIC DOCUMENTS FOR USE WITH THIS DOCUMENT.



HERMES F. MORERO, P.E.
FLORIDA P.E. No. 73778
BUILDING DROPS, INC.
398 E. DANIA BEACH BLVD. # 338
DANIA BEACH, FL 33004
FBPE CERT. OF AUTHORIZATION No. 29578

FL #: **FL38771**

DATE: **06.14.21**

DWG. BY: **ER** | CHK. BY: **HFN**

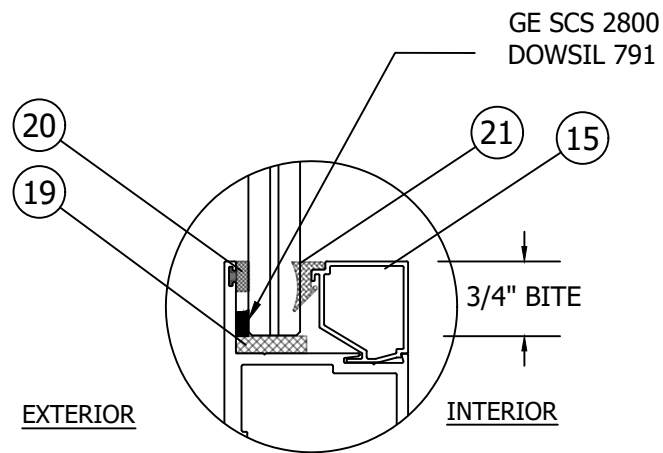
SCALE: **NTS**

DWG. #: **ECI030**

SHEET:
1
OF 14



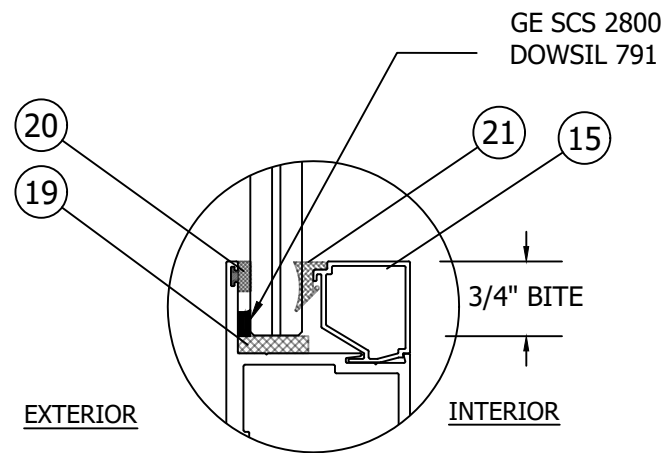
7905 NW 77TH AVE
MEDLEY, FL 33166
PH: (305) 713-1871 FX: (305) 713-1872



GLAZING DETAIL 1

GLASS TYPE 1:

9/16" LAMINATED GLASS:
1/4" HEAT STRENGTHENED GLASS
0.090" TROFISOL PVB INTERLAYER BY KURARAY OF AMERICA
1/4" HEAT STRENGTHENED GLASS



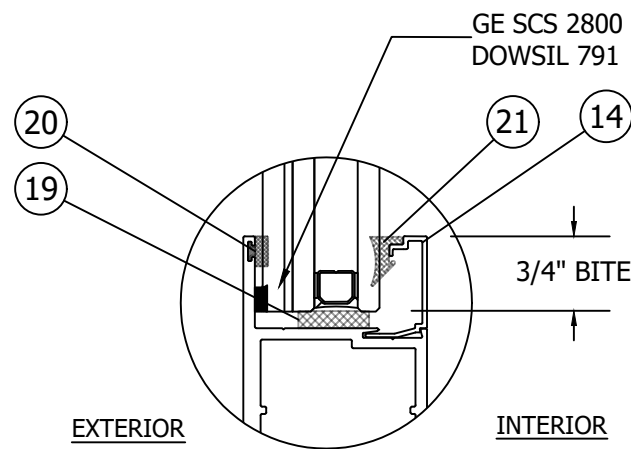
GLAZING DETAIL 2

GLASS TYPE 2:

9/16" LAMINATED GLASS:
1/4" HEAT STRENGTHENED GLASS
0.090" SG INTERLAYER BY KURARAY OF AMERICA
1/4" HEAT STRENGTHENED GLASS

GLAZING NOTES:

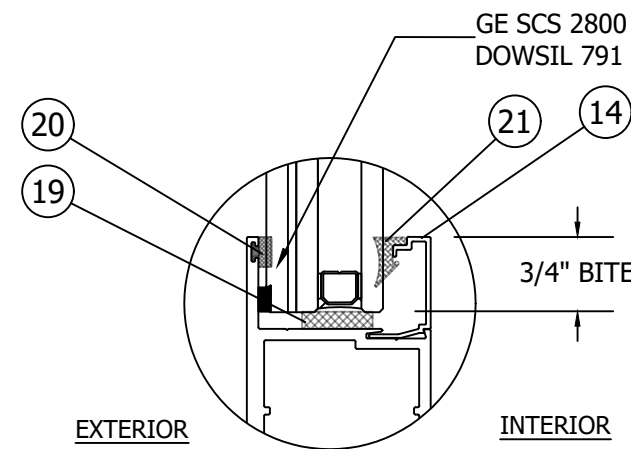
1. GLASS TYPE SHALL COMPLY WITH ASTM E1300 REQUIREMENTS.
2. SETTING BLOCKS TO BE LOCATED AT 1/4 SPAN LENGTH FOR GLASS WIDER THAN 36" AS PER FBC CHAPTER 24.
3. SETTING BLOCK DUROMETER HARDNESS OF 70-90 (SHORE A) AS REFERENCED IN FBC CHAPTER 24.
4. GLASS TYPE SHALL COMPLY WITH APPLICABLE GLAZING REQUIREMENTS PER CHAPTER 24 OF THE FBC



GLAZING DETAIL 3

GLASS TYPE 3:

1 3/16" INSULATED LAMINATED GLASS:
3/16" HEAT STRENGTHENED GLASS
0.090" TROFISOL PVB INTERLAYER BY KURARAY OF AMERICA
3/16" HEAT STRENGTHENED GLASS
1/2" AIR SPACE
1/4" TEMPERED GLASS



GLAZING DETAIL 4

GLASS TYPE 4:

1 3/16" INSULATED LAMINATED GLASS:
3/16" HEAT STRENGTHENED GLASS
0.090" SG INTERLAYER BY KURARAY OF AMERICA
3/16" HEAT STRENGTHENED GLASS
1/2" AIR SPACE
1/4" TEMPERED GLASS

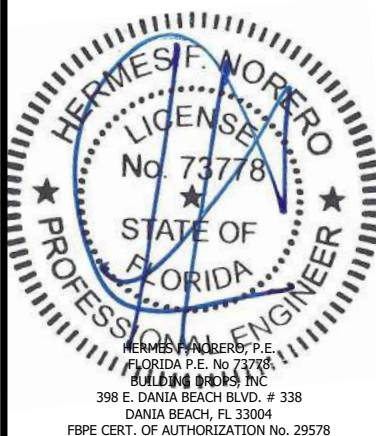
TITLE: SERIES 600 OUTSWING
COMMERCIAL DOOR
(HVHZ)(IMPACT)
GLAZING DETAILS

PREPARED BY:
BUILDING DROPS, INC.
398 E. DANIA BEACH BLVD., STE. 338
DANIA BEACH, FL 33004
PH: (954)399-8478
FAX: (954)744-4738
WEB: www.buildingdrops.com



REMARKS	BY	DATE

THE INSTALLATION DETAILS DESCRIBED HEREIN ARE GENERIC AND MAY NOT REFLECT ACTUAL CONDITIONS FOR A SPECIFIC SITE. IF SITE CONDITIONS CAUSE INSTALLATION TO DEVIATE FROM THE REQUIREMENTS DETAILED HEREIN, A LICENSED ENGINEER OR ARCHITECT SHALL PREPARE SITE SPECIFIC DOCUMENTS FOR USE WITH THIS DOCUMENT.



HERMES F. MORERO, P.E.
FLORIDA P.E. No. 73778
BUILDING DROPS, INC.
398 E. DANIA BEACH BLVD. # 338
DANIA BEACH, FL 33004
FBPE CERT. OF AUTHORIZATION No. 29578

FL #:

FL38771

DATE: **06.14.21**

DWG. BY: **ER** CHK. BY: **HFN**

SCALE: **NTS**

DWG. #: **ECI030**

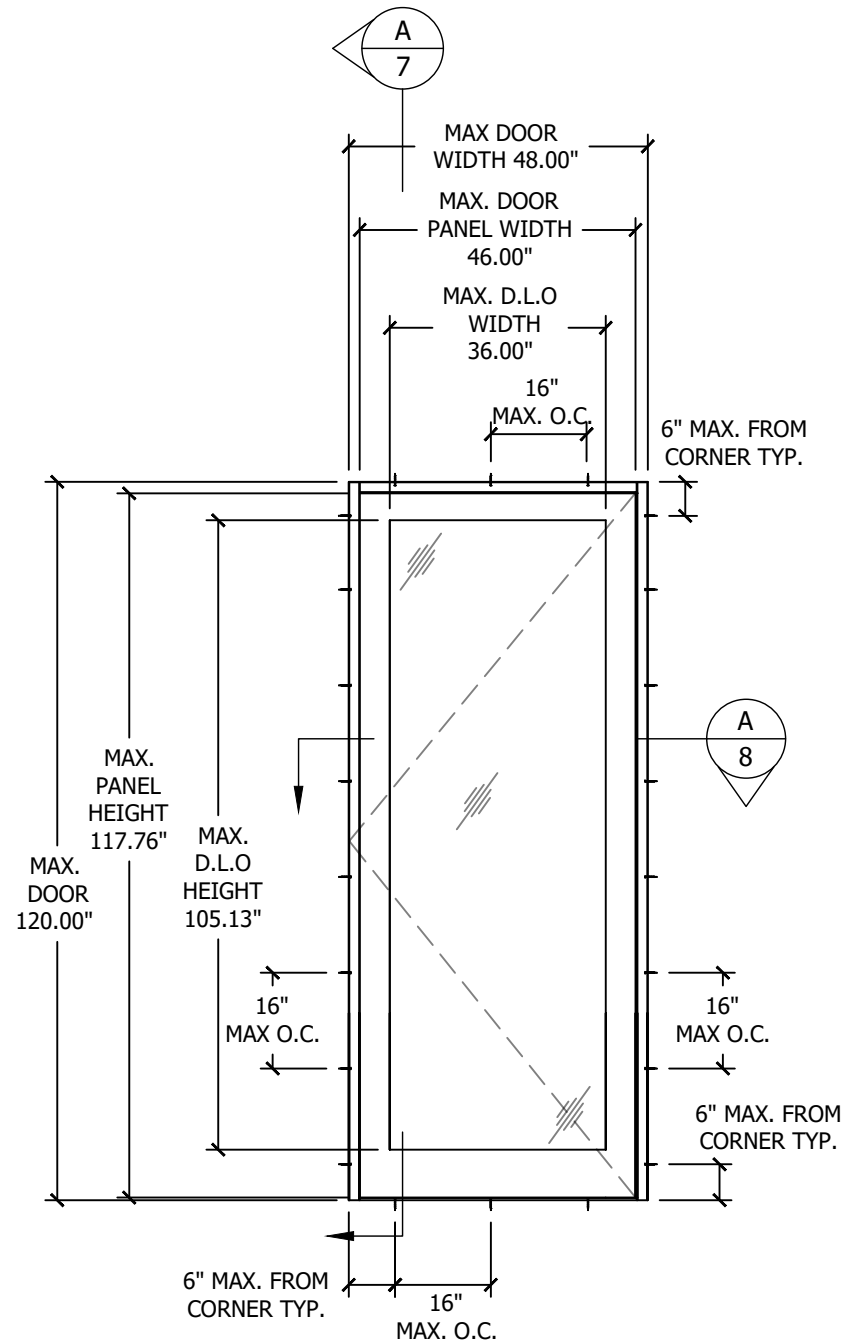
SHEET:

2

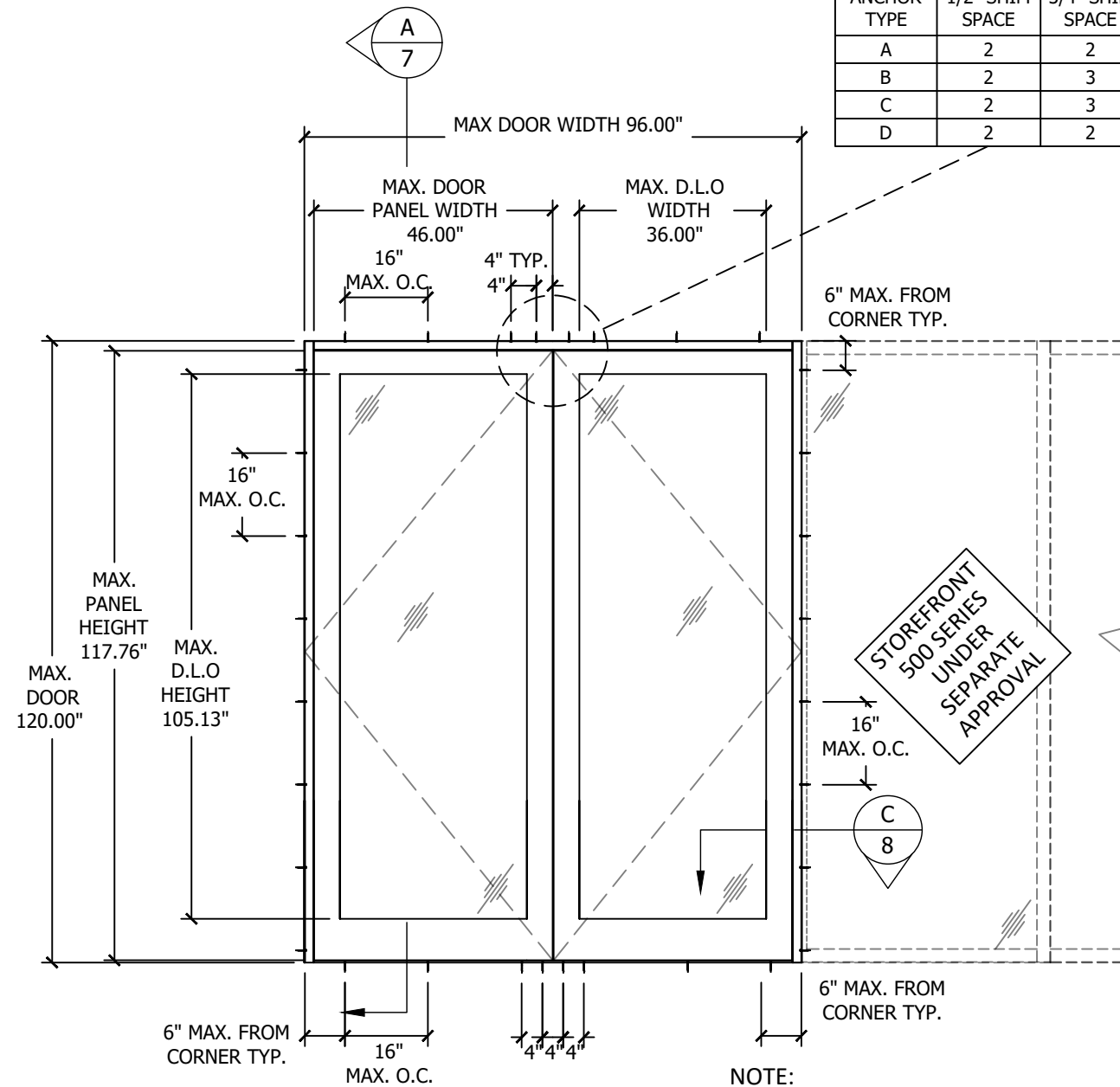
OF 14

s:\projects\eurocraft\industries inc\fbc\20-0527.1 - fbc submittal commercial outswing aluminum door series 600 -2021-06-16.dwg 6/30/2021 12:35 PM

NO. OF ADDITIONAL ANCHORS AT ASTRAGAL ENDS		
ANCHOR TYPE	1/2" SHIM SPACE	3/4" SHIM SPACE
A	2	2
B	2	3
C	2	3
D	2	2



ELEVATION



ELEVATION

NOTE: STOREFRONT 500 SERIES APPLICABLE FOR BOTH SINGLE & DOUBLE DOORS

STOREFRONT 500 SERIES UNDER SEPARATE APPROVAL

DESIGN PRESSURE RATING		GLAZING OPTIONS
POSITIVE	+120 PSF	G2, G4
NEGATIVE	-120 PSF	
WITH ASTRAGAL REINFORCEMENT ITEM #16		

ABBREVIATIONS:

D.L.O.	DAYLITE OPENING.
F.H.	FRAME HEIGHT.
F.W.	FRAME WIDTH.
D.O.	DOOR OPENING
W/	WITH
W/O	WITHOUT
O.C.	ON CENTER

TITLE: SERIES 600 OUTSWING COMMERCIAL DOOR (HVHZ)(IMPACT)

ELEVATIONS (10')

PREPARED BY: BUILDING DROPS, INC.
398 E. DANIA BEACH BLVD., STE. 338
DANIA BEACH, FL 33004
PH: (954)399-8478
FAX: (954)744-4738
WEB: www.buildingdrops.com

REMARKS	BY	DATE

THE INSTALLATION DETAILS DESCRIBED HEREIN ARE GENERIC AND MAY NOT REFLECT ACTUAL CONDITIONS FOR A SPECIFIC SITE. IF SITE CONDITIONS CAUSE INSTALLATION TO DEVIATE FROM THE REQUIREMENTS DETAILED HEREIN, A LICENSED ENGINEER OR ARCHITECT SHALL PREPARE SITE SPECIFIC DOCUMENTS FOR USE WITH THIS DOCUMENT.

HERMES F. NORERO, P.E.
FLORIDA P.E. No. 73778
BUILDING DROPS, INC.
398 E. DANIA BEACH BLVD. # 338
DANIA BEACH, FL 33004
FBPE CERT. OF AUTHORIZATION No. 29578

FL #:

FL38771

DATE: **06.14.21**

DWG. BY: ER	CHK. BY: HFN
--------------------	---------------------

SCALE: **NTS**

DWG. #: **ECI030**

SHEET:

3

OF 14

6/30/2021 12:35 PM s:\projects\eurocraft_industries inc\bcz-20-0527.1 - fbc submittal commercial outswing aluminum door series 600 -2021-06-16.dwg

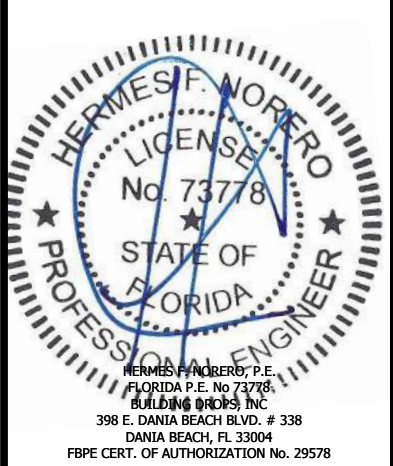


7905 NW 77TH AVE
MEDLEY, FL 33166
PH: (305) 713-1871FX: (305) 713-1872

TITLE: SERIES 600 OUTSWING
COMMERCIAL DOOR
(HVHZ)(IMPACT)
ELEVATIONS (10' WITH TRANSOM)
PREPARED BY:
BUILDING DROPS, INC.
398 E. DANIA BEACH BLVD., STE. 338
DANIA BEACH, FL 33004
PH: (954)399-8478
FAX: (954)744-4738
WEB: www.buildingdrops.com

REMARKS	BY	DATE

THE INSTALLATION DETAILS DESCRIBED HEREIN ARE GENERIC AND MAY NOT REFLECT ACTUAL CONDITIONS FOR A SPECIFIC SITE. IF SITE CONDITIONS CAUSE INSTALLATION TO DEVIATE FROM THE REQUIREMENTS DETAILED HEREIN, A LICENSED ENGINEER OR ARCHITECT SHALL PREPARE SITE SPECIFIC DOCUMENTS FOR USE WITH THIS DOCUMENT.



HERMES F. NORERO, P.E.
FLORIDA P.E. No. 73778
BUILDING DROPS, INC.
398 E. DANIA BEACH BLVD. # 338
DANIA BEACH, FL 33004
FBPE CERT. OF AUTHORIZATION No. 29578

FL #: **FL38771**

DATE: **06.14.21**

DWG. BY: **ER** | CHK. BY: **HFN**

SCALE: **NTS**

DWG. #: **ECI030**

SHEET: **4**

NO. OF ADDITIONAL ANCHORS AT TRANSOM ENDS		
ANCHOR TYPE	1/2" SHIM SPACE	3/4" SHIM SPACE
A	2	2
B	2	3
C	2	3
D	2	2

NO. OF ADDITIONAL ANCHORS AT TRANSOM ENDS		
ANCHOR TYPE	1/2" SHIM SPACE	3/4" SHIM SPACE
A	2	4
B	2	4
C	2	4
D	2	4

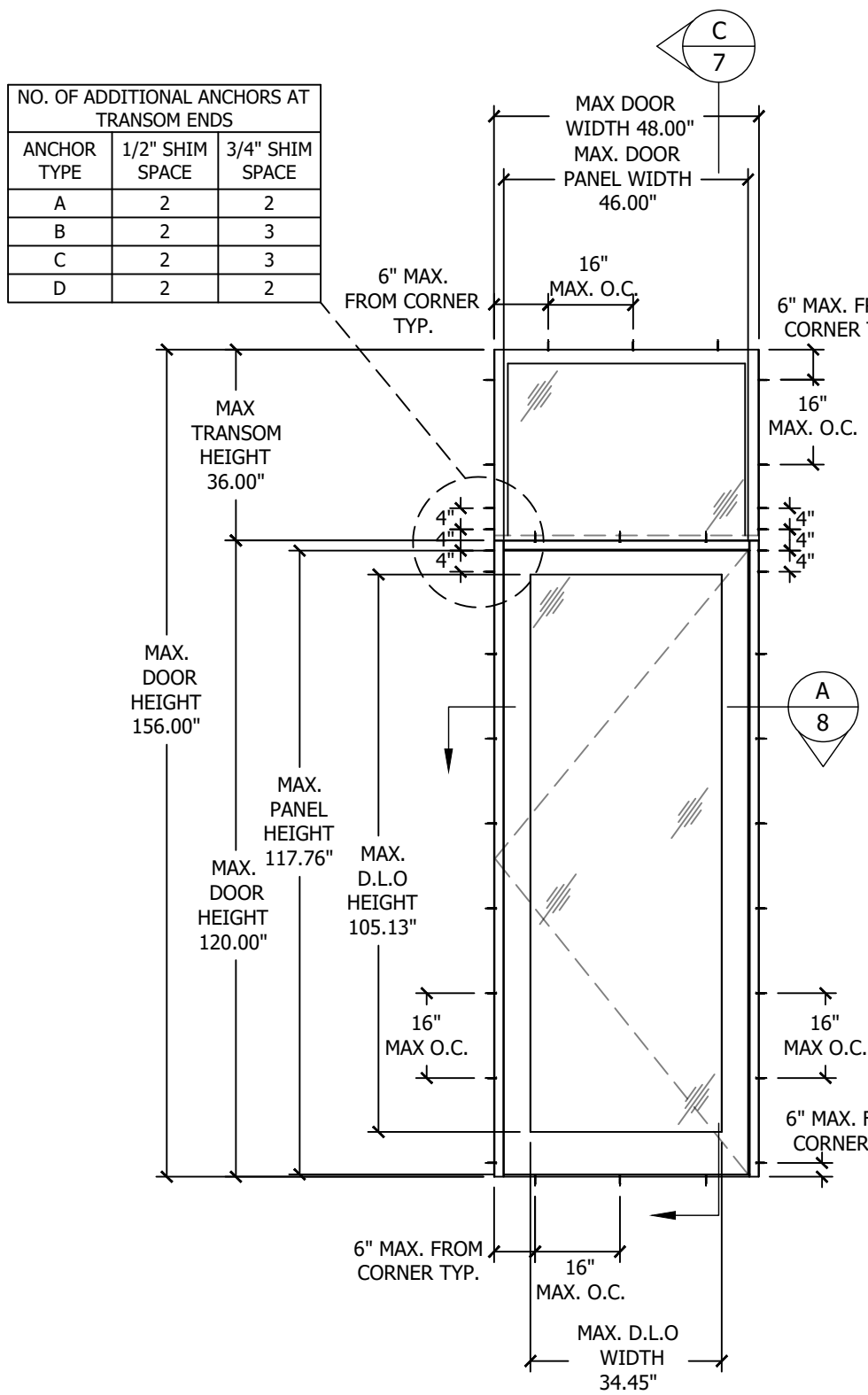
NO. OF ADDITIONAL ANCHORS AT ASTRAGAL ENDS		
ANCHOR TYPE	1/2" SHIM SPACE	3/4" SHIM SPACE
A	2	2
B	2	3
C	2	3
D	2	2

DESIGN PRESSURE RATING		GLAZING OPTIONS
POSITIVE	+120 PSF	G2, G4
NEGATIVE	-120 PSF	
WITH ASTRAGAL REINFORCEMENT ITEM #16		

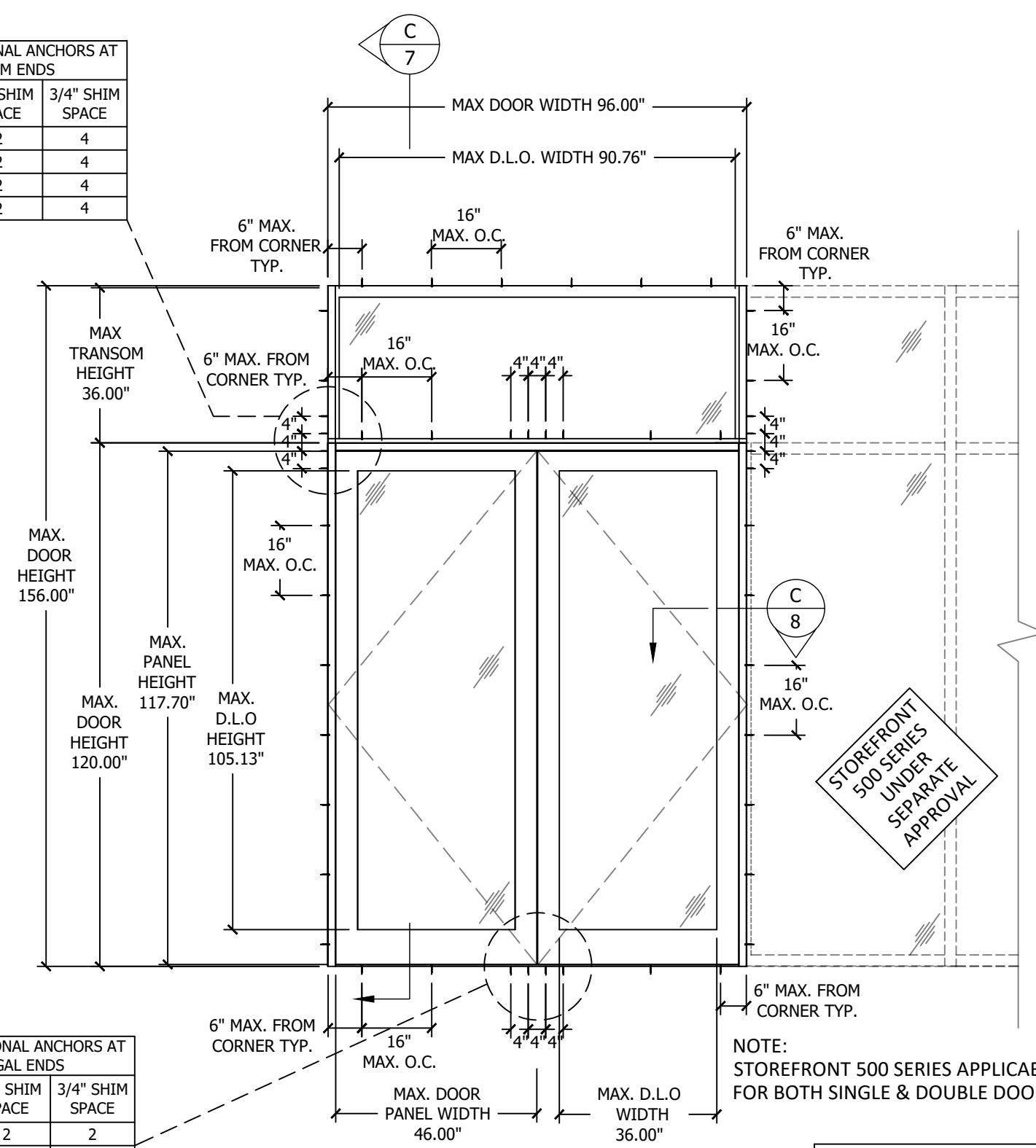
ABBREVIATIONS:
D.L.O. DAYLITE OPENING.
F.H. FRAME HEIGHT.
F.W. FRAME WIDTH.
D.O. DOOR OPENING
W/ WITH
W/O WITHOUT
O.C. ON CENTER

STOREFRONT 500 SERIES UNDER SEPARATE APPROVAL

NOTE: STOREFRONT 500 SERIES APPLICABLE FOR BOTH SINGLE & DOUBLE DOORS



ELEVATION



ELEVATION



7905 NW 77TH AVE
MEDLEY, FL 33166
PH: (305) 713-1871FX: (305) 713-1872

BUILDING DROPS, INC.
398 E. DANIA BEACH BLVD., STE. 338
DANIA BEACH, FL 33004
PH: (954)399-8478
FAX: (954)744-4738
WEB: www.buildingdrops.com

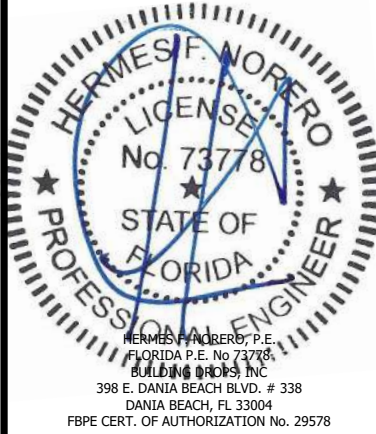


TITLE: SERIES 600 OUTSWING
COMMERCIAL DOOR
(HVHZ)(IMPACT)
ELEVATIONS (8')

PREPARED BY:

REMARKS	BY	DATE

THE INSTALLATION DETAILS DESCRIBED HEREIN ARE GENERIC AND MAY NOT REFLECT ACTUAL CONDITIONS FOR A SPECIFIC SITE. IF SITE CONDITIONS CAUSE INSTALLATION TO DEVIATE FROM THE REQUIREMENTS DETAILED HEREIN, A LICENSED ENGINEER OR ARCHITECT SHALL PREPARE SITE SPECIFIC DOCUMENTS FOR USE WITH THIS DOCUMENT.



HERMES F. NORERO, P.E.
FLORIDA P.E. No. 73778
BUILDING DROPS, INC.
398 E. DANIA BEACH BLVD. # 338
DANIA BEACH, FL 33004
FBPE CERT. OF AUTHORIZATION No. 29578

FL #: **FL38771**

DATE: **06.14.21**

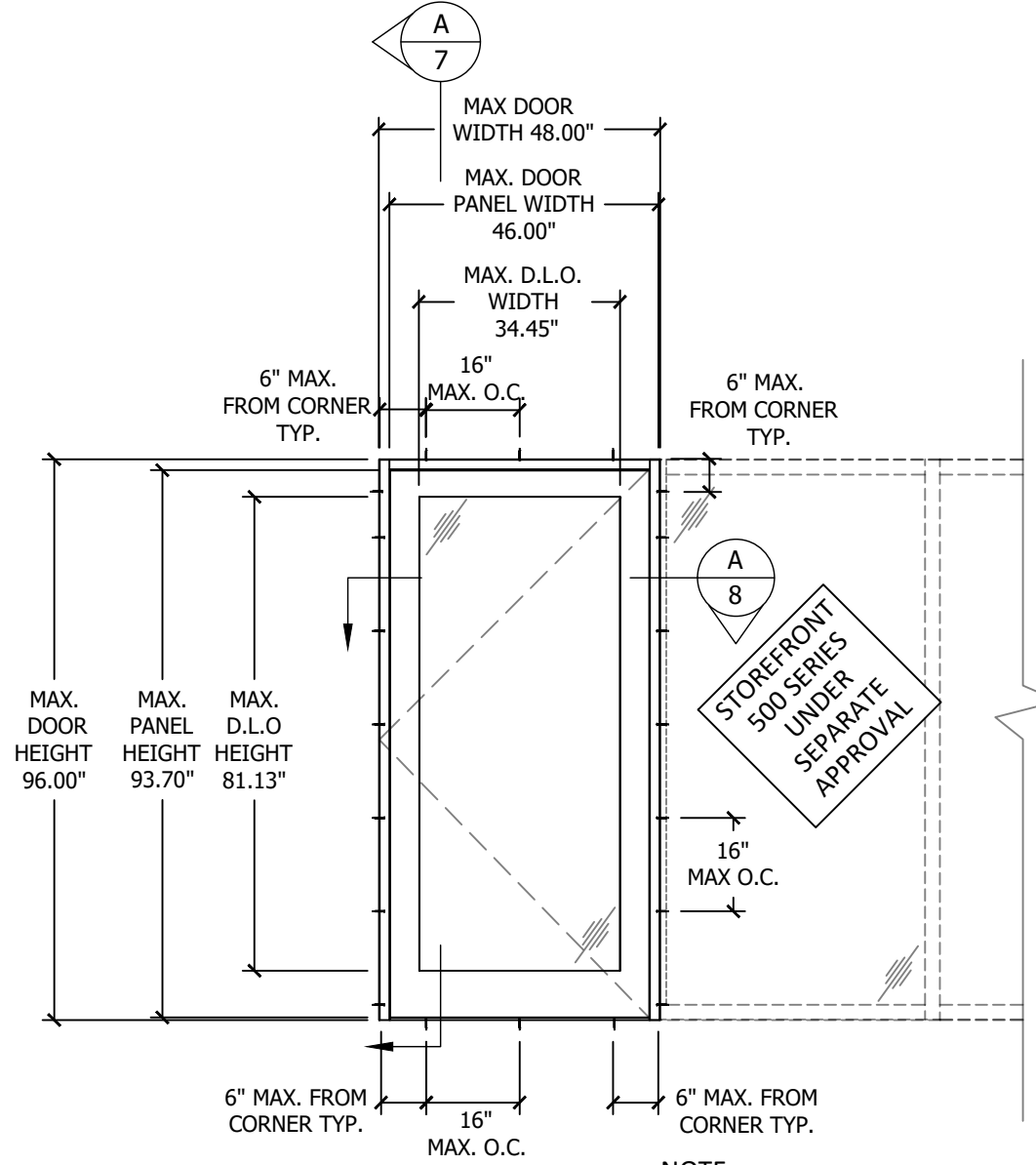
DWG. BY: **ER** CHK. BY: **HFN**

SCALE: **NTS**

DWG. #: **ECI030**

SHEET: **5**

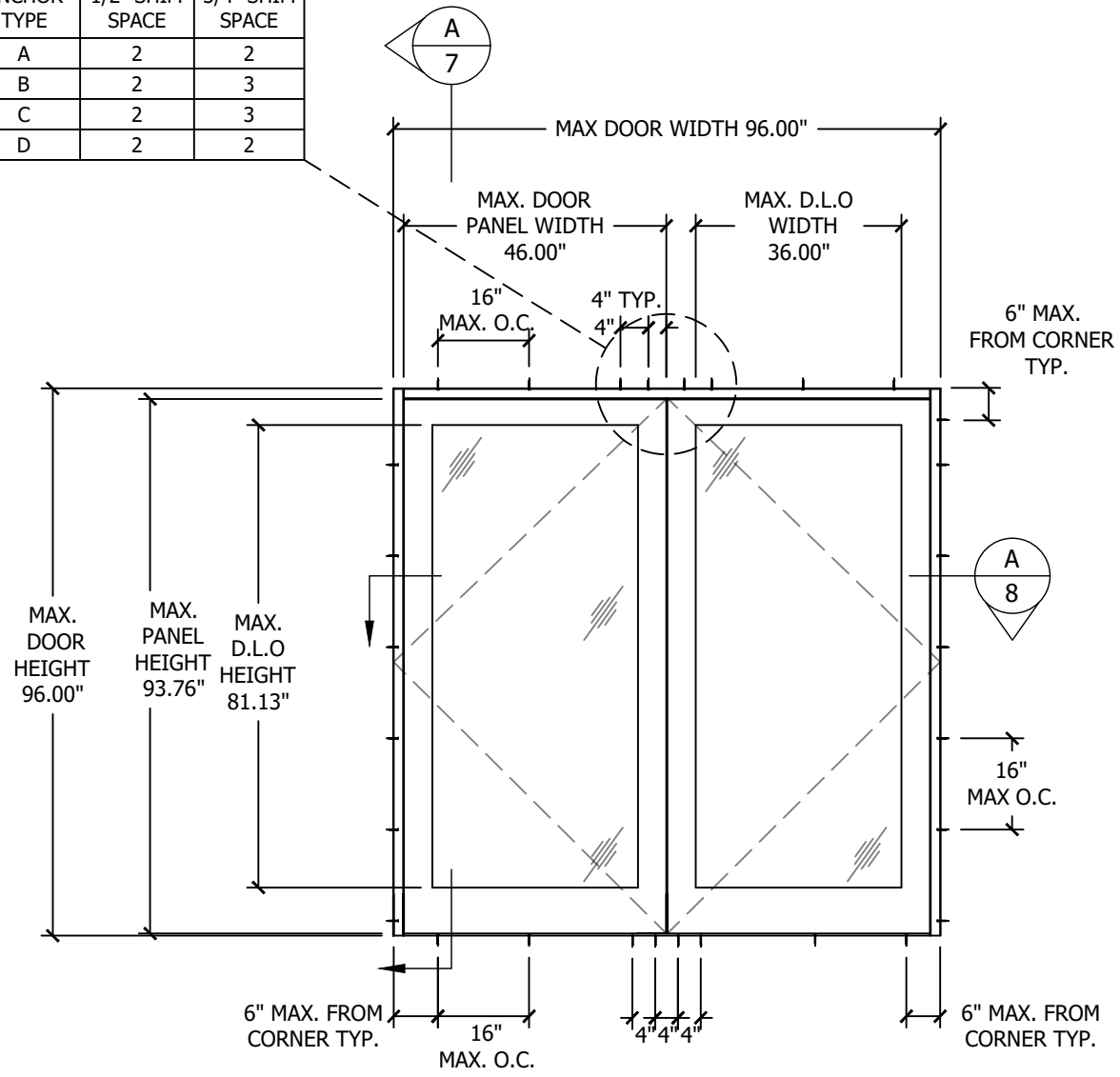
NO. OF ADDITIONAL ANCHORS AT ASTRAGAL STILE ENDS		
ANCHOR TYPE	1/2" SHIM SPACE	3/4" SHIM SPACE
A	2	2
B	2	3
C	2	3
D	2	2



ELEVATION

NOTE:
STOREFRONT 500 SERIES APPLICABLE FOR BOTH SINGLE & DOUBLE DOORS

STOREFRONT 500 SERIES UNDER SEPARATE APPROVAL



ELEVATION

DESIGN PRESSURE RATING		GLAZING OPTIONS
POSITIVE	+140 PSF	G1, G2, G3, G4
NEGATIVE	-140 PSF	
WITHOUT ASTRAGAL REINFORCEMENT ITEM #16		

ABBREVIATIONS:
D.L.O. DAYLITE OPENING.
F.H. FRAME HEIGHT.
F.W. FRAME WIDTH.
D.O. DOOR OPENING
W/ WITH
W/O WITHOUT
O.C. ON CENTER

s:\projects\eurowcraft_industries inc\bc-20-0527.1 - fbc submittal commercial outswing aluminum door\dwg\ec030 - #138771 - commercial swing door series 600 -2021-06-16.dwg



7905 NW 77TH AVE
MEDLEY, FL 33166
PH: (305) 713-1871 FX: (305) 713-1872

TITLE: SERIES 600 OUTSWING
COMMERCIAL DOOR
(HVHZ)(IMPACT)
ELEVATIONS (8' WITH TRANSOM)
PREPARED BY:
BUILDING DROPS, INC.
398 E. DANIA BEACH BLVD., STE. 338
DANIA BEACH, FL 33004
PH: (954)399-8478
FAX: (954)744-4738
WEB: www.buildingdrops.com

REMARKS	BY	DATE

THE INSTALLATION DETAILS DESCRIBED HEREIN ARE GENERIC AND MAY NOT REFLECT ACTUAL CONDITIONS FOR A SPECIFIC SITE. IF SITE CONDITIONS CAUSE INSTALLATION TO DEVIATE FROM THE REQUIREMENTS DETAILED HEREIN, A LICENSED ENGINEER OR ARCHITECT SHALL PREPARE SITE SPECIFIC DOCUMENTS FOR USE WITH THIS DOCUMENT.



HERMES F. NORERO, P.E.
FLORIDA P.E. No. 73778
BUILDING DROPS, INC.
398 E. DANIA BEACH BLVD. # 338
DANIA BEACH, FL 33004
FBPE CERT. OF AUTHORIZATION No. 29578

FL #: **FL38771**

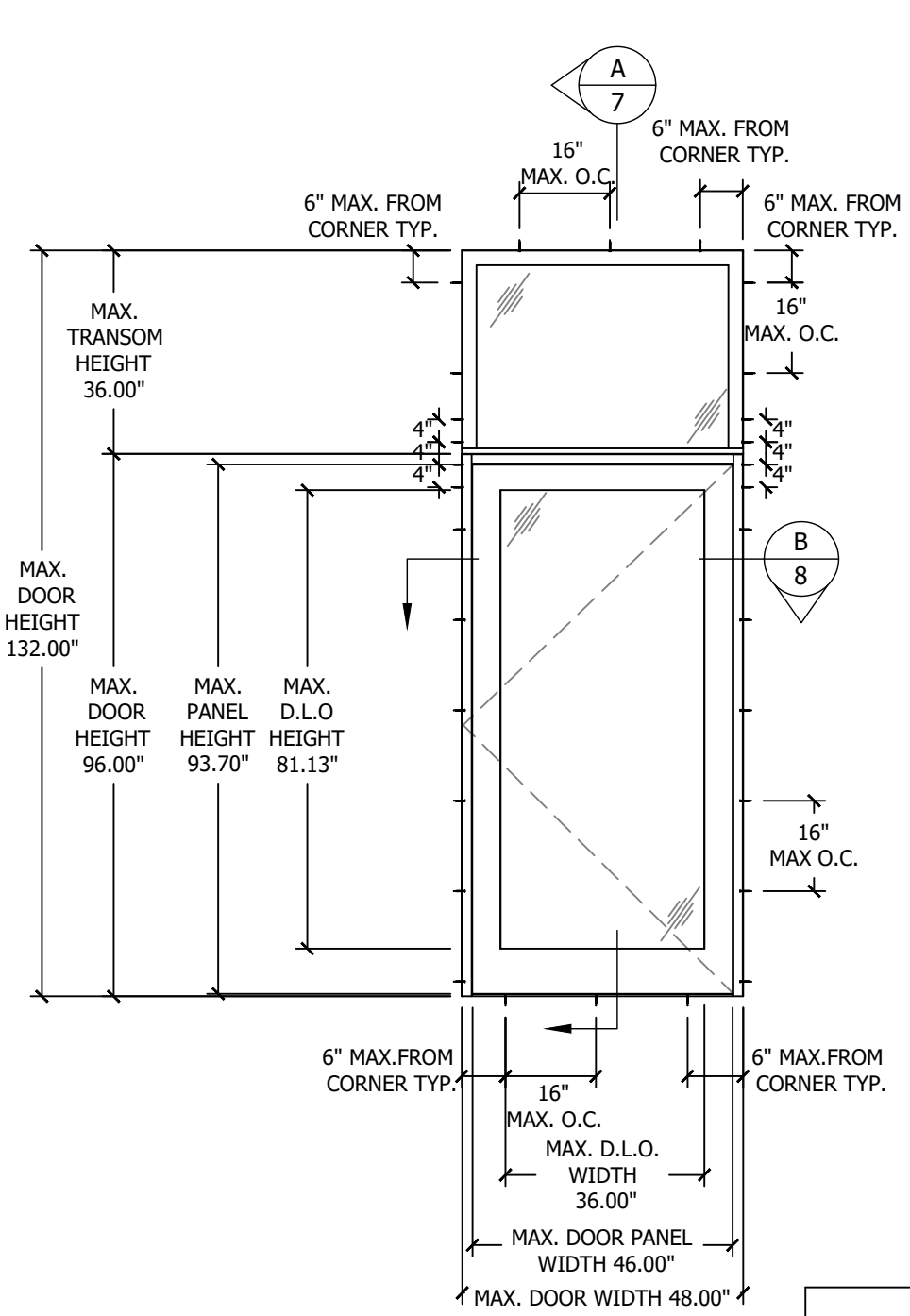
DATE: **06.14.21**

DWG. BY: **ER** CHK. BY: **HFN**

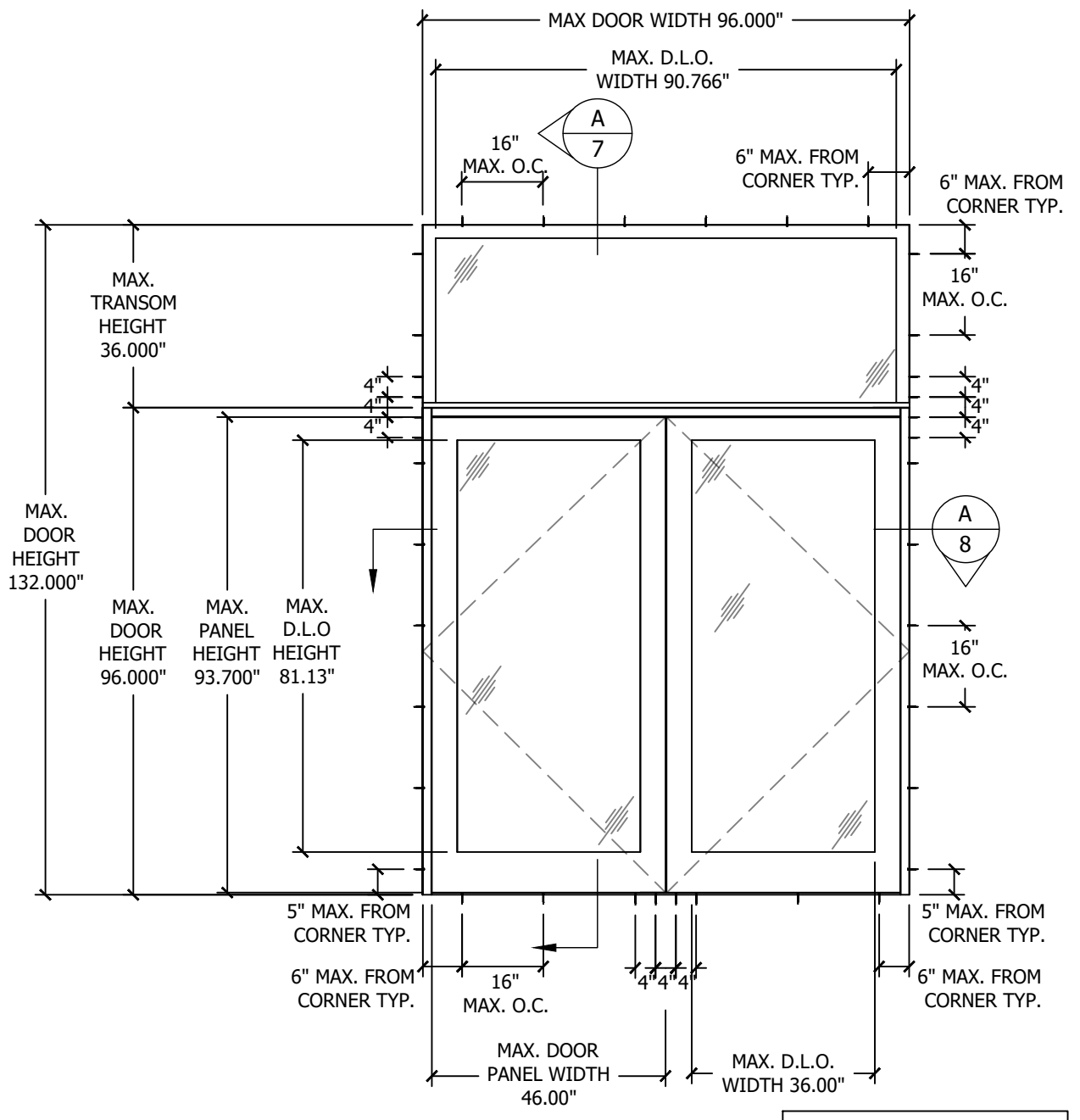
SCALE: **NTS**

DWG. #: **ECI030**

SHEET: **6**



ELEVATION



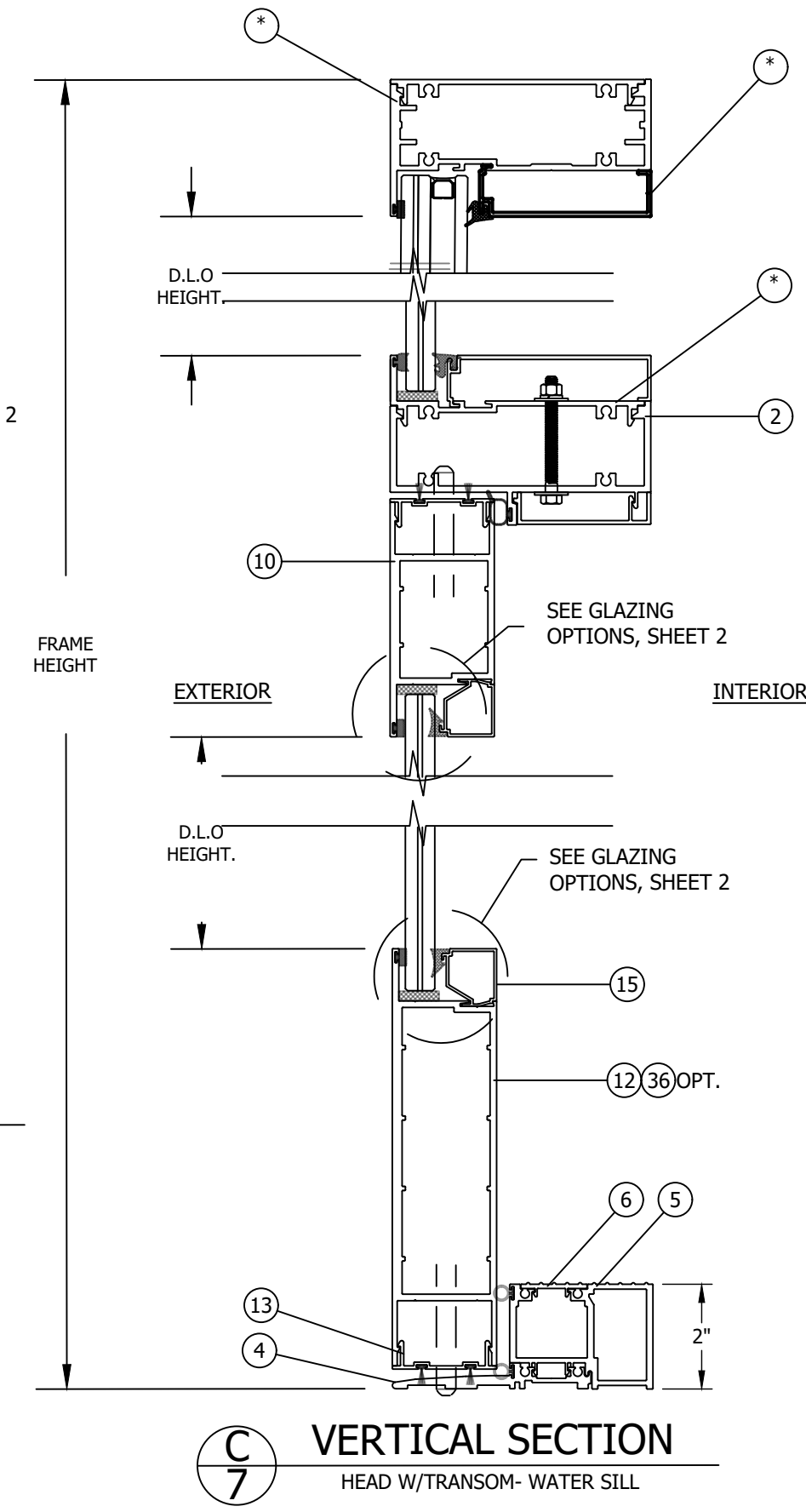
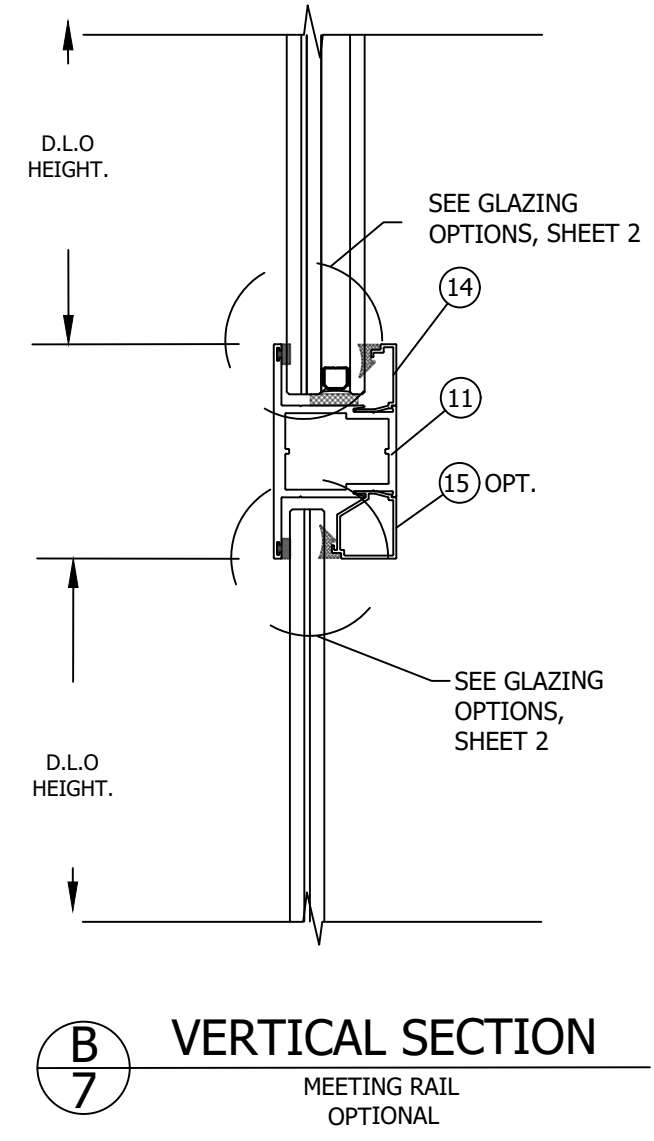
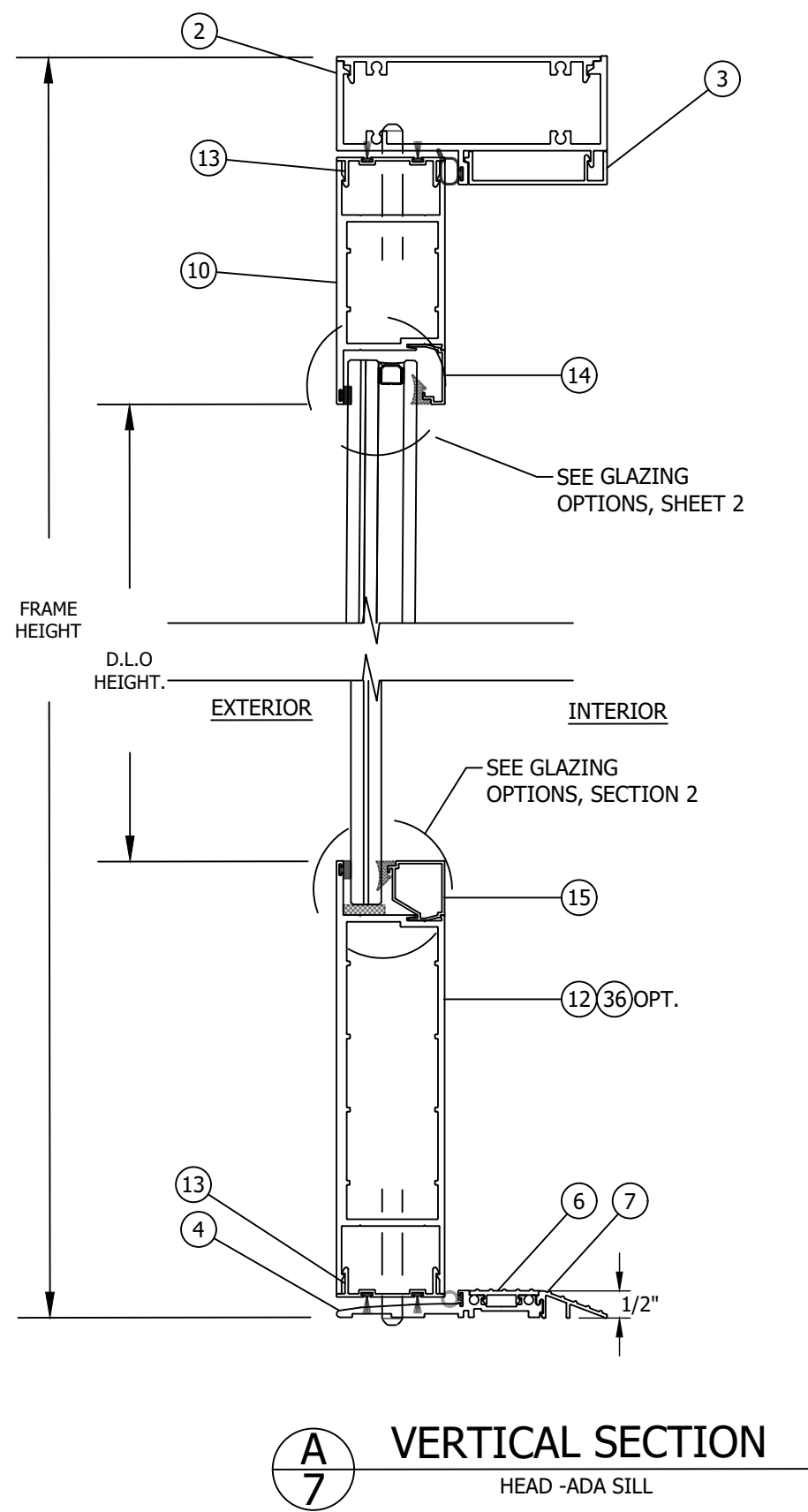
ELEVATION

DESIGN PRESSURE RATING		GLAZING OPTIONS
POSITIVE	+140 PSF	G1 , G2 , G3 , G4
NEGATIVE	-140 PSF	
WITHOUT ASTRAGAL REINFORCEMENT ITEM #16		

ABBREVIATIONS:
D.L.O. DAYLITE OPENING.
F.H. FRAME HEIGHT.
F.W. FRAME WIDTH.
D.O. DOOR OPENING
W/ WITH
W/O WITHOUT
O.C. ON CENTER

s:\projects\eurowcraft industries inc\bcz-20-0527.1 - fbc submittal commercial outswing aluminum door\dwg\ec030 - #138771 - commercial swing door series 600 -2021-06-16.dwg 6/30/2021 12:35 PM

s:\projects\eurocraft\industries\inc\bcz-20-0527.1 - fbc submittal commercial outswing aluminum door series 600 -2021-06-16.dwg
 6/30/2021 12:35 PM



* SEE SERIES 500 DETAILS UNDER SEPARATE APPROVAL



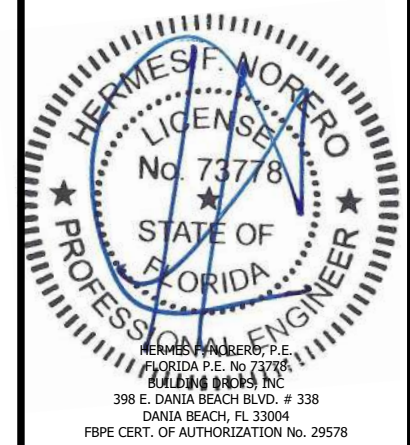
7905 NW 77TH AVE
 MEDLEY, FL 33166
 PH: (305) 713-1871 FX: (305) 713-1872

TITLE: SERIES 600 OUTSWING
 COMMERCIAL DOOR
 (HVHZ)(IMPACT)
 VERTICAL SECTIONS

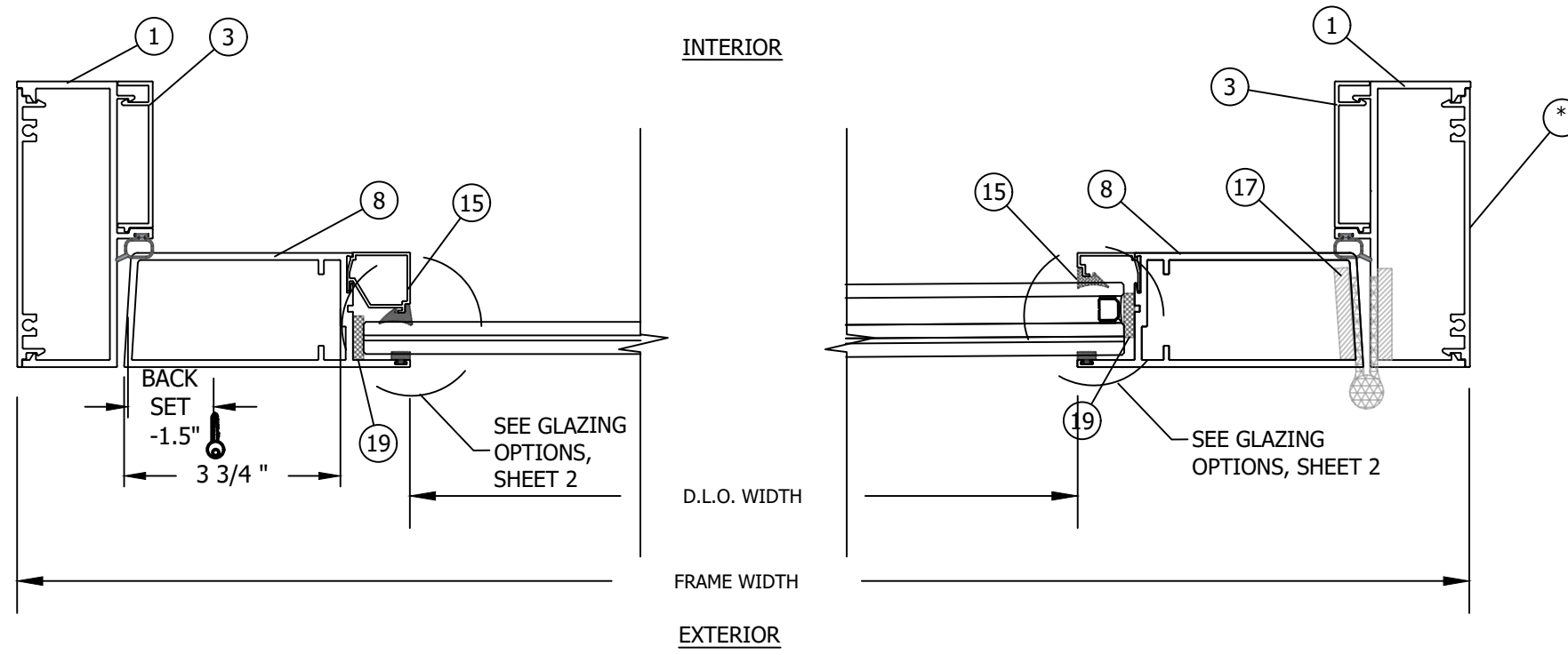
PREPARED BY:
BUILDING DROPS, INC.
 398 E. DANIA BEACH BLVD., STE. 338
 DANIA BEACH, FL 33004
 PH: (954) 399-8478
 FAX: (954) 744-4738
 WEB: www.buildingdrops.com

REMARKS	BY	DATE

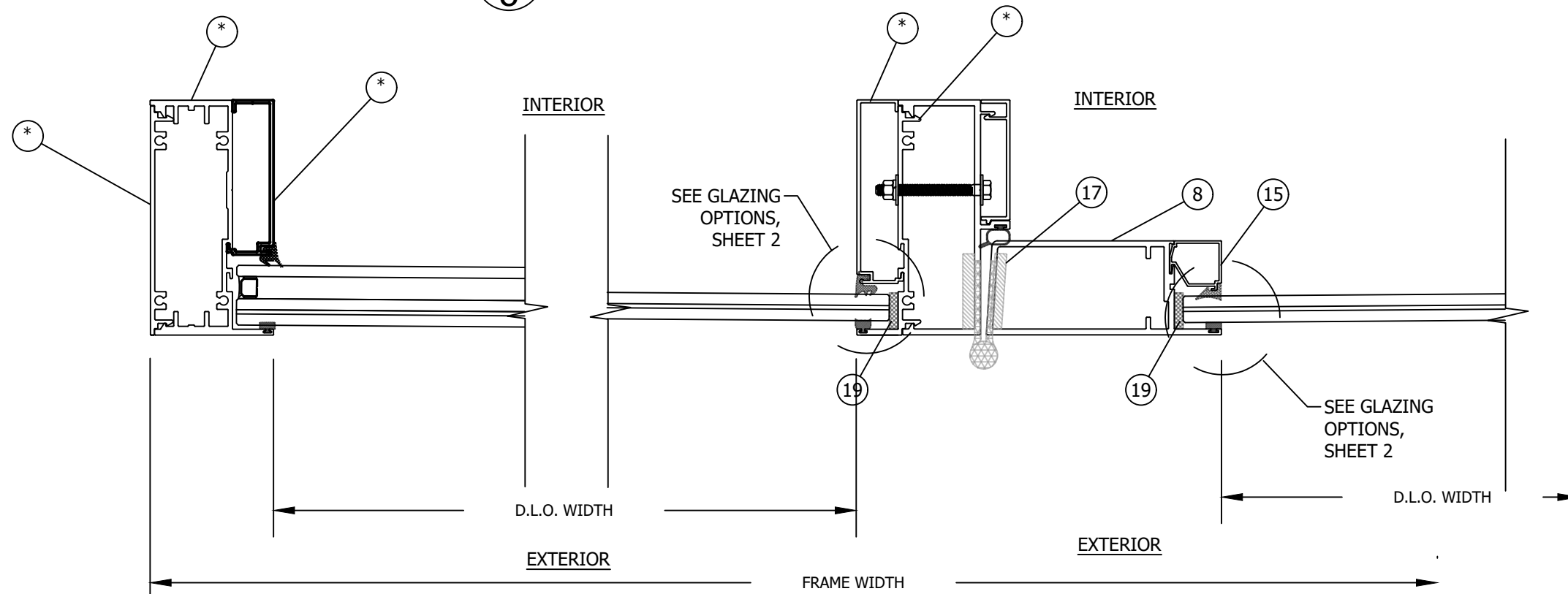
THE INSTALLATION DETAILS DESCRIBED HEREIN ARE GENERIC AND MAY NOT REFLECT ACTUAL CONDITIONS FOR A SPECIFIC SITE. IF SITE CONDITIONS CAUSE INSTALLATION TO DEVIATE FROM THE REQUIREMENTS DETAILED HEREIN, A LICENSED ENGINEER OR ARCHITECT SHALL PREPARE SITE SPECIFIC DOCUMENTS FOR USE WITH THIS DOCUMENT.



FL #:	FL38771		
DATE:	06.14.21		
DWG. BY:	ER	CHK. BY:	HFN
SCALE:	NTS		
DWG. #:	ECI030		
SHEET:	7		



A
8 HORIZONTAL SECTION
JAMBS



B
8 HORIZONTAL SECTION
SIDELITE

C
8 HORIZONTAL SECTION
DOOR JAMB W/SIDELITE



7905 NW 77TH AVE
MEDLEY, FL 33166
PH: (305) 713-1871 FX: (305) 713-1872

TITLE: SERIES 600 OUTSWING
COMMERCIAL DOOR
(HVHZ)(IMPACT)
HORIZONTAL SECTIONS

PREPARED BY:
B.D.
BUILDING DROPS, INC.
398 E. DANIA BEACH BLVD., STE. 338
DANIA BEACH, FL 33004
PH: (954) 399-8478
FAX: (954) 744-4738
WEB: www.buildingdrops.com

REMARKS	BY	DATE

THE INSTALLATION DETAILS DESCRIBED HEREIN ARE GENERIC AND MAY NOT REFLECT ACTUAL CONDITIONS FOR A SPECIFIC SITE. IF SITE CONDITIONS CAUSE INSTALLATION TO DEVIATE FROM THE REQUIREMENTS DETAILED HEREIN, A LICENSED ENGINEER OR ARCHITECT SHALL PREPARE SITE SPECIFIC DOCUMENTS FOR USE WITH THIS DOCUMENT.



FL #: **FL38771**

DATE: **06.14.21**

DWG. BY: **ER** | CHK. BY: **HFN**

SCALE: **NTS**

DWG. #: **ECI030**

SHEET: **8**

s:\projects\eurocraft\industries inc\bcz-20-0527.1 - fbc submittal commercial outswing aluminum door\dwg\sec030 -f38771- commercial swing door series 600 -2021-06-16.dwg 6/30/2021 12:35 PM



7905 NW 77TH AVE
 MEDLEY, FL 33166
 PH: (305) 713-1871 FX: (305) 713-1872

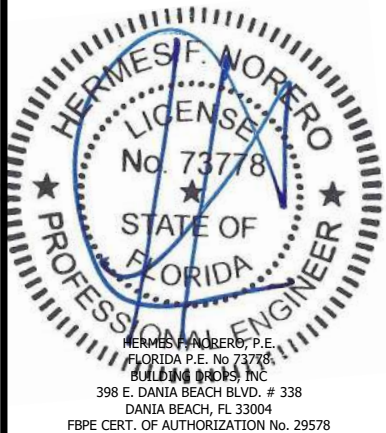
TITLE: SERIES 600 OUTSWING
 COMMERCIAL DOOR
 (HVHZ)(IMPACT)
 HORIZONTAL SECTIONS

PREPARED BY:
BUILDING DROPS, INC.
 398 E. DANIA BEACH BLVD., STE. 338
 DANIA BEACH, FL 33004
 PH: (954) 399-8478
 FAX: (954) 744-4738
 WEB: www.buildingdrops.com



REMARKS	BY	DATE

THE INSTALLATION DETAILS DESCRIBED HEREIN ARE GENERIC AND MAY NOT REFLECT ACTUAL CONDITIONS FOR A SPECIFIC SITE. IF SITE CONDITIONS CAUSE INSTALLATION TO DEVIATE FROM THE REQUIREMENTS DETAILED HEREIN, A LICENSED ENGINEER OR ARCHITECT SHALL PREPARE SITE SPECIFIC DOCUMENTS FOR USE WITH THIS DOCUMENT.



FL #: **FL38771**

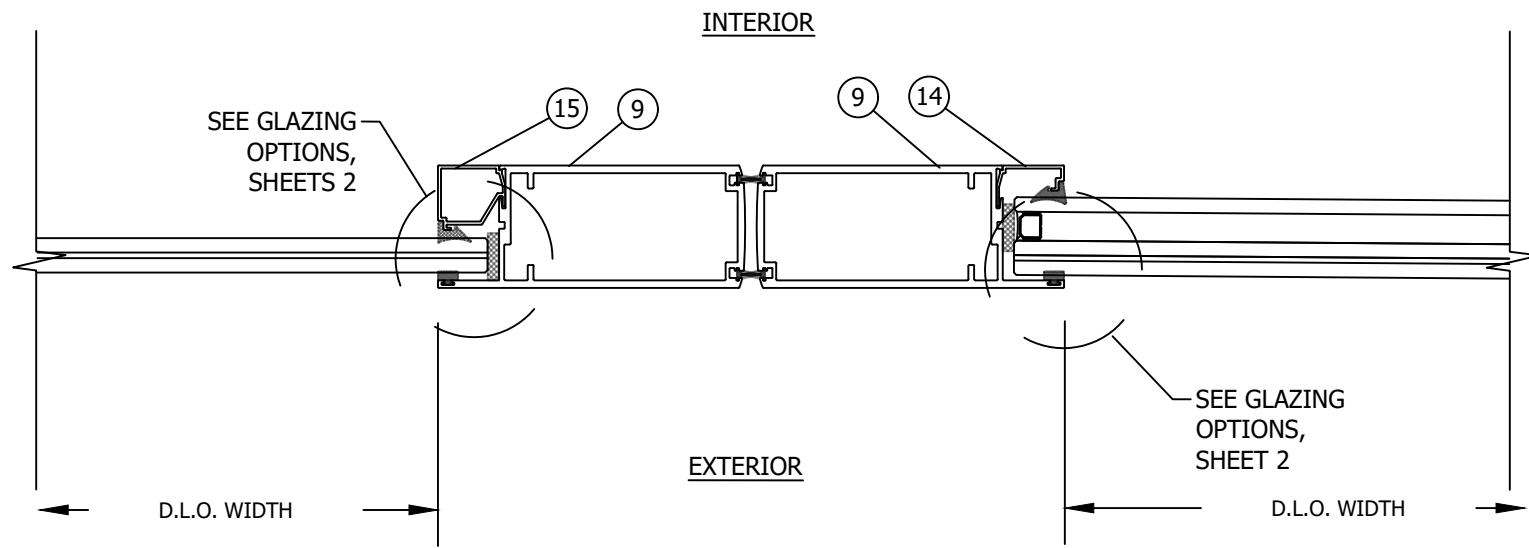
DATE: **06.14.21**

DWG. BY: **ER** | CHK. BY: **HFN**

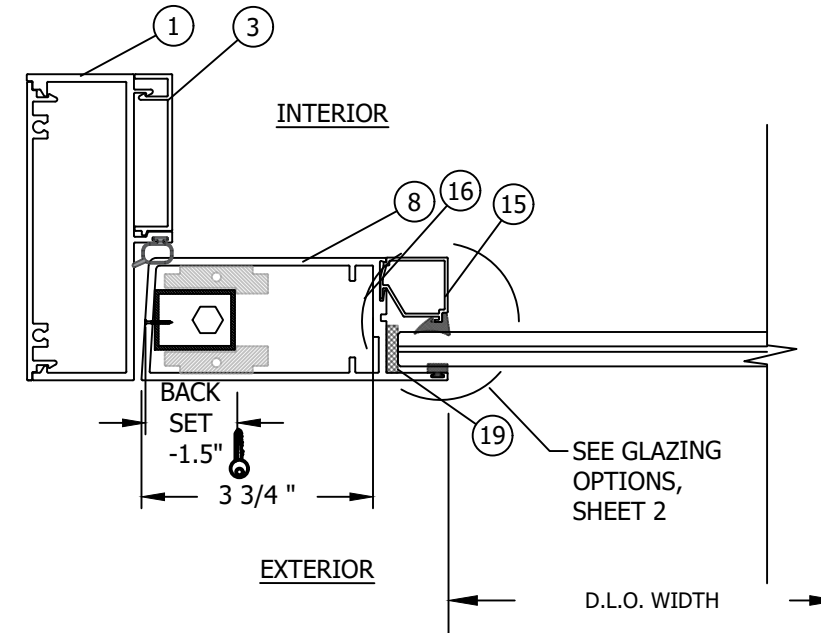
SCALE: **NTS**

DWG. #: **ECI030**

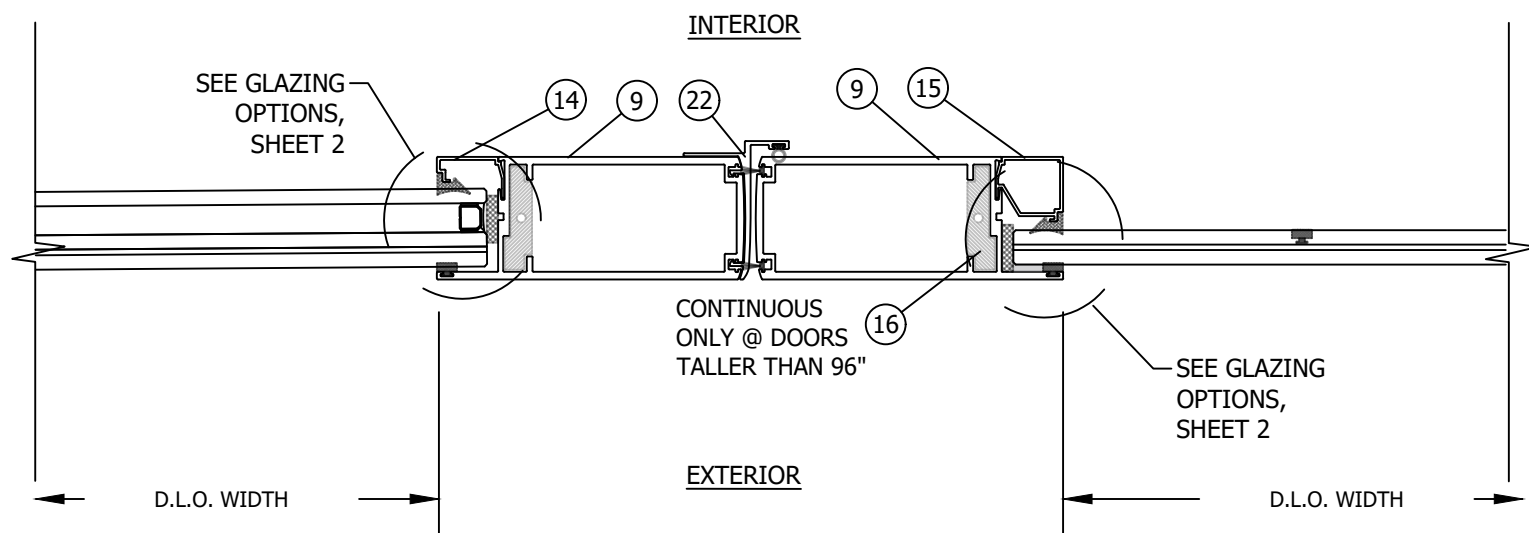
SHEET: **9**



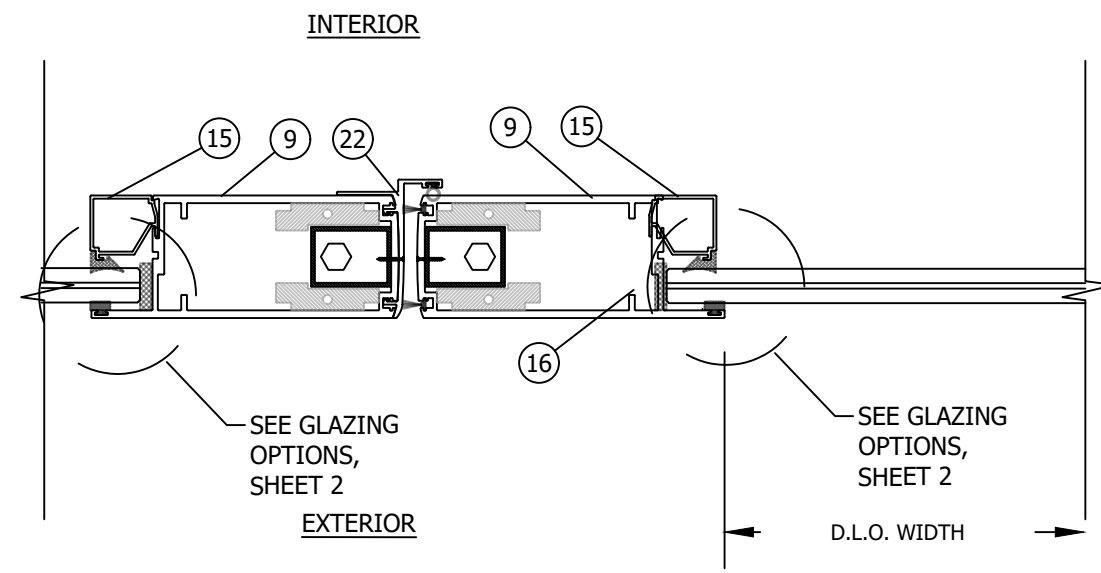
A HORIZONTAL SECTION
9 ASTRAGAL WITHOUT REINFORCEMENT DOOR HEIGHT < 96"



C HORIZONTAL SECTION
9 STILE REINFORCED ADAMS RITE 3 POINT LOCK

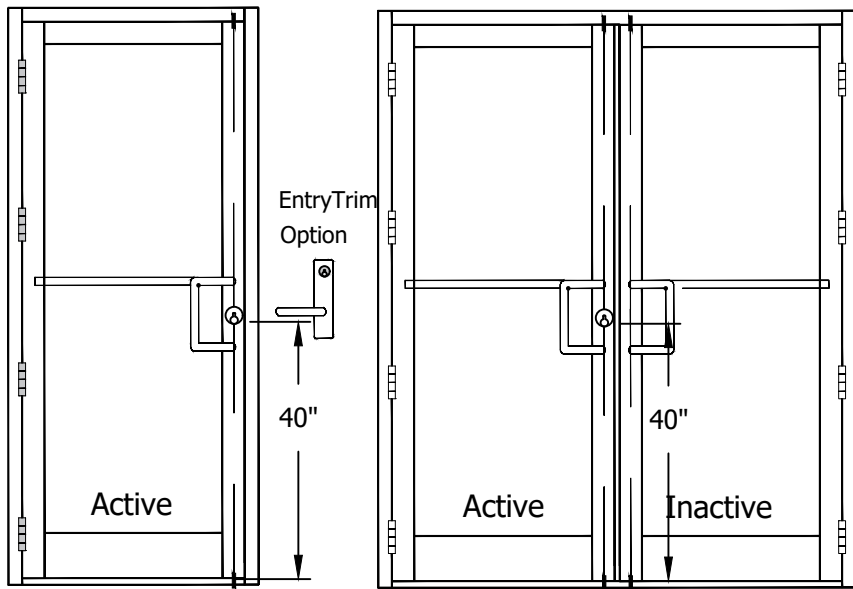


B HORIZONTAL SECTION
9 ASTRAGAL WITH REINFORCEMENT DOOR HEIGHT ≥ 96"



D HORIZONTAL SECTION
9 STILE REINFORCED ADAMS RITE 3 POINT LOCK

s:\projects\eurocraft\industries inc\bc-20-0527.1 - fbc submittal commercial outswing aluminum door\dwgs\ec030 - #138771 - commercial swing door series 600 -2021-06-16.dwg



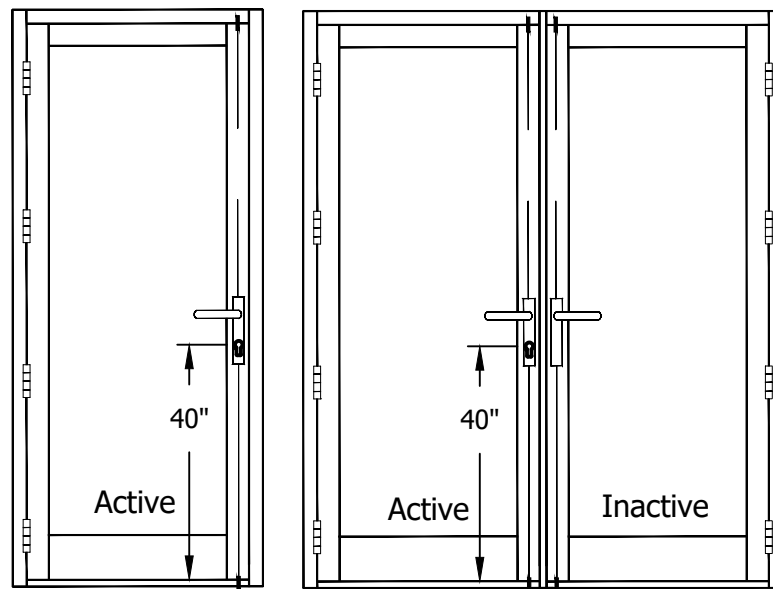
LOCK OPTION #1:

ACTIVE LEAF

3- POINT LOCK SYSTEM BY ADAMS RITE AT 40" FROM BOTTOM HANDLE ACTIVATES DEAD BOLTS AND SHOOT BOLTS ENGAGING AT HEAD AND SILL
KEY OPERATED ON EXTERIOR AND THUMB TURN ON INTERIOR

INACTIVE LEAF

2- POINT LOCK SYSTEM BY ADAMS RITE AT 40" FROM BOTTOM HANDLE ACTIVATES SHOOT BOLTS ENGAGING AT HEAD AND SILL



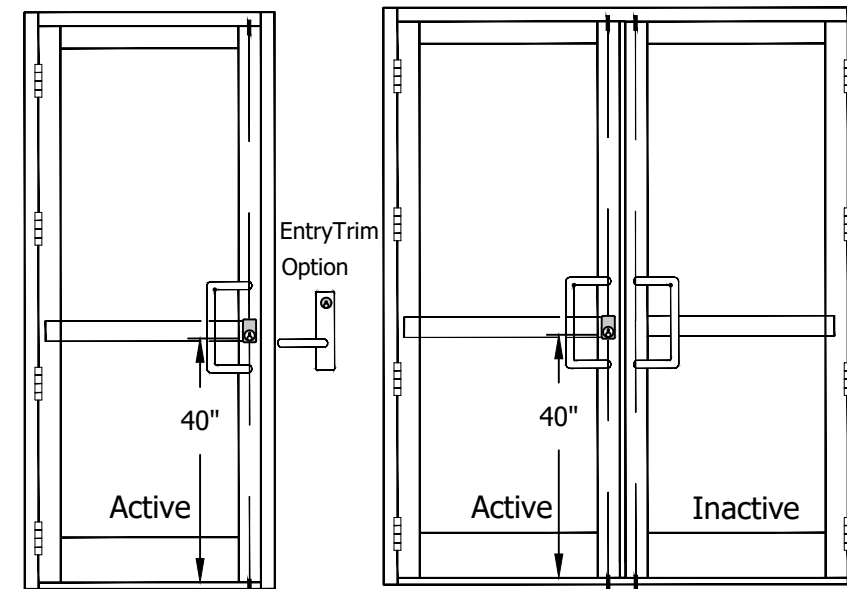
LOCK OPTION #2:

ACTIVE LEAF

3- POINT LOCK BY INTERLOCK (X3) AT 40" FROM BOTTOM HANDLE ACTIVATES DEAD BOLTS AND SHOOT BOLTS ENGAGING AT HEAD AND SILL
KEY OPERATED ON EXTERIOR AND THUMB TURN ON INTERIOR

INACTIVE LEAF

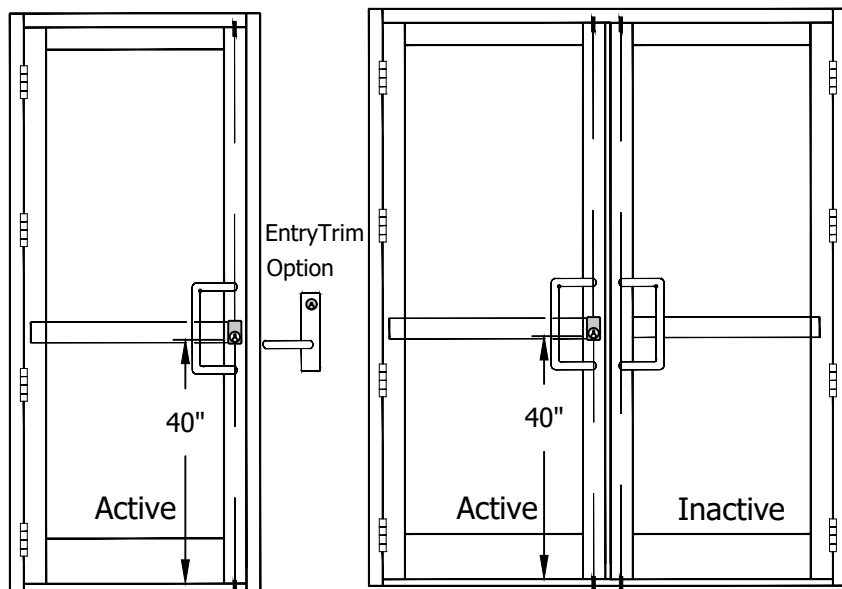
2- POINT LOCK SYSTEM BY ADAMS RITE AT 40" FROM BOTTOM HANDLE ACTIVATES SHOOT BOLTS ENGAGING AT HEAD AND SILL



LOCK OPTION #3:

ACTIVE AND INACTIVE LEAF

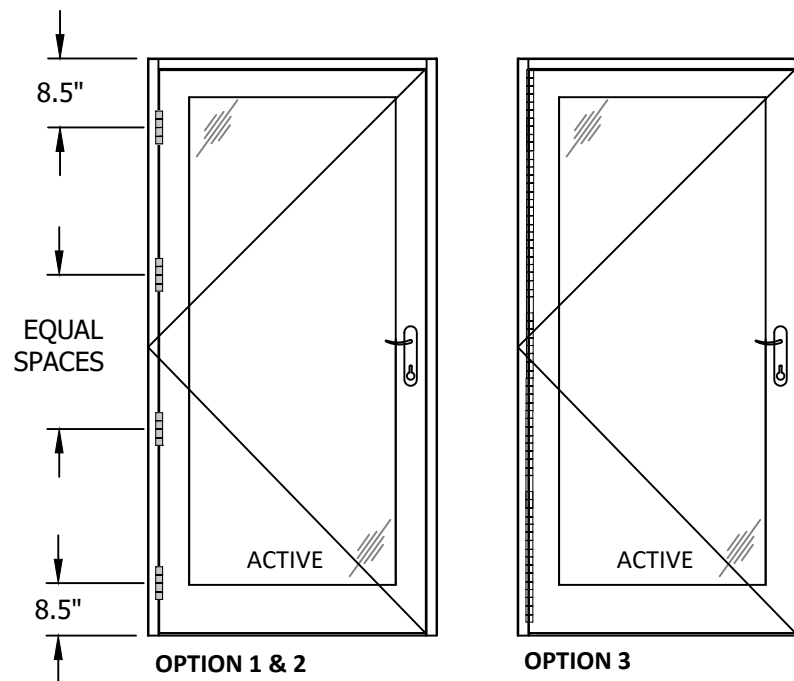
CONCEALED VERTICAL ROD PANIC EXIT DEVICE BY VON DUPRIN LOCATED AT 40" FROM SILL AT EACH LEAF



LOCK OPTION #4:

ACTIVE AND INACTIVE LEAF

CONCEALED VERTICAL ROD PANIC EXIT DEVICE BY ADAMS RIGHT G-86 LOCATED AT 40" FROM SILL AT EACH LEAF



OPTION 1 & 2

OPTION 3

HINGE OPTIONS

HINGE OPTION #1:

BUTT HINGE BY HANGER/ IDH/ MCKINNEY (3) PER LEAF UP TO 96" F.H. @ 8 1/2" FROM HEAD AND SILL AND (2) EQUAL SPACES.

HINGE OPTION #2:

BUTT HINGE BY HANGER/ IDH/ MCKINNEY (4) PER LEAF FROM 96" TO 120" F.H. @ 8 1/2" FROM HEAD AND SILL AND (3) EQUAL SPACES.

HINGE OPTION #3:

CONTINUOUS HINGE HALF MORTISE BY PEMCO



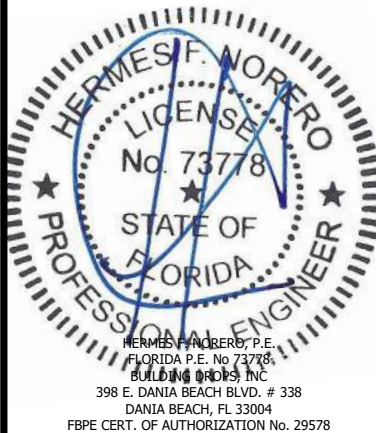
7905 NW 77TH AVE
MEDLEY, FL 33166
PH: (305) 713-1871 FX: (305) 713-1872

TITLE: SERIES 600 OUTSWING
COMMERCIAL DOOR
(HVHZ)(IMPACT)
HARDWARE OPTIONS

PREPARED BY:
B.D.
BUILDING DROPS, INC.
398 E. DANIA BEACH BLVD., STE. 338
DANIA BEACH, FL 33004
PH: (954)399-8478
FAX: (954)744-4738
WEB: www.buildingdrops.com

REMARKS	BY	DATE

THE INSTALLATION DETAILS DESCRIBED HEREIN ARE GENERIC AND MAY NOT REFLECT ACTUAL CONDITIONS FOR A SPECIFIC SITE. IF SITE CONDITIONS CAUSE INSTALLATION TO DEVIATE FROM THE REQUIREMENTS DETAILED HEREIN, A LICENSED ENGINEER OR ARCHITECT SHALL PREPARE SITE SPECIFIC DOCUMENTS FOR USE WITH THIS DOCUMENT.



FL #: **FL38771**

DATE: **06.14.21**

DWG. BY: **ER** | CHK. BY: **HFN**

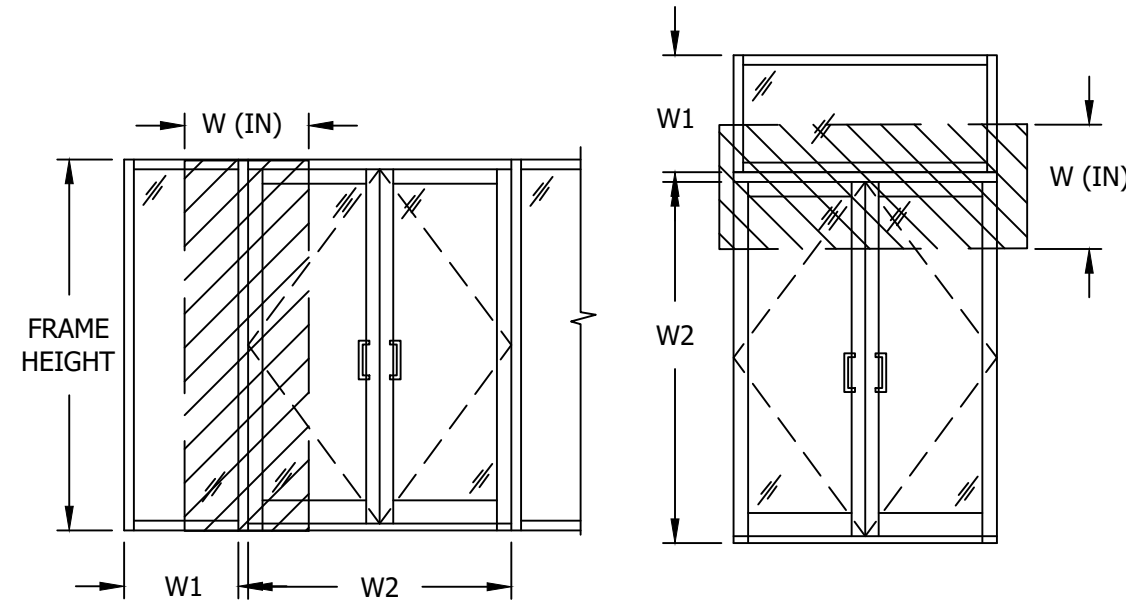
SCALE: **NTS**

DWG. #: **ECI030**

SHEET: **10**

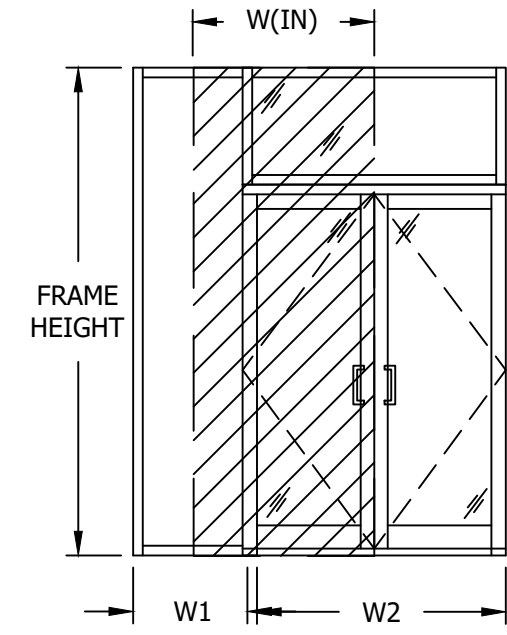
MULLION LOAD CAPACITY			
WIDTH (IN)	HEIGHT (IN)	"DESIGN PRESSURE (+/- PSF)"	
		REINFORCED	NON-REINFORCED
24.0	84.0	140.0	100.0
30.0		140.0	100.0
36.0		140.0	100.0
42.0		140.0	100.0
48.0		140.0	100.0
54.0		140.0	95.2
60.0		137.1	85.7
66.0		124.7	77.9
72.0		114.3	-
78.0		105.5	-
84.0		98.0	-
90.0		91.4	-
96.0		85.7	-
102.0		80.7	-
24.0	90.0	140.0	100.0
30.0		140.0	100.0
36.0		140.0	100.0
42.0		140.0	100.0
48.0		140.0	100.0
54.0		140.0	88.9
60.0		128.0	80.0
66.0		116.4	-
72.0		106.7	-
78.0		98.5	-
84.0		91.4	-
90.0		85.3	-
96.0		80.0	-
24.0		96.0	140.0
30.0	140.0		100.0
36.0	140.0		100.0
42.0	140.0		100.0
48.0	140.0		93.8
54.0	133.3		83.3
60.0	120.0		75.0
66.0	109.1		-
72.0	100.0		-
78.0	92.3		-
84.0	85.7		-
90.0	80.0		-
96.0	75.0		-
24.0	102.0		120.0
30.0		120.0	100.0
36.0		120.0	100.0
42.0		120.0	100.0
48.0		120.0	88.2
54.0		120.0	78.4
60.0		112.9	-
66.0		102.7	-
72.0		94.1	-
78.0		86.9	-
84.0		80.7	-
90.0		75.0	-
96.0		70.0	-
102.0		65.0	-
24.0	108.0	120.0	100.0
30.0		120.0	100.0
36.0		120.0	100.0
42.0		120.0	95.2
48.0		120.0	83.3
54.0		118.5	-
60.0		106.7	-
66.0		97.0	-
72.0		88.9	-
78.0		82.1	-

MULLION LOAD CAPACITY			
WIDTH (IN)	HEIGHT (IN)	"DESIGN PRESSURE (+/- PSF)"	
		REINFORCED	NON-REINFORCED
24.0	114.0	120.0	100.0
30.0		120.0	100.0
36.0		120.0	100.0
42.0		120.0	90.2
48.0		120.0	78.9
54.0		112.3	-
60.0		101.1	-
66.0		91.9	-
72.0		84.2	-
78.0		77.9	-
24.0	120.0	120.0	100.0
30.0		120.0	100.0
36.0		120.0	95.6
42.0		120.0	81.9
48.0		120.0	71.7
54.0		106.7	-
60.0		96.0	-
66.0		87.3	-
72.0		80.0	-
78.0		73.7	-
24.0	126.0	120.0	100.0
30.0		120.0	99.1
36.0		120.0	82.6
42.0		118.5	70.8
48.0		103.7	-
54.0		92.1	-
60.0		82.9	-
66.0		75.4	-
72.0		68.9	-
78.0		63.3	-
24.0	132.0	120.0	100.0
30.0		120.0	86.2
36.0		120.0	71.8
42.0		103.0	61.5
48.0		90.2	-
54.0		80.1	-
60.0		72.1	-
66.0		65.1	-
72.0		58.1	-
78.0		52.1	-
24.0	138.0	120.0	94.3
30.0		120.0	75.4
36.0		105.2	62.8
42.0		90.2	-
48.0		78.9	-
54.0		70.1	-
60.0		63.1	-
66.0		56.1	-
72.0		50.1	-
78.0		44.1	-
24.0	144.0	120.0	83.0
30.0		111.1	66.4
36.0		92.6	55.3
42.0		79.4	-
48.0		69.4	-
54.0		61.7	-
60.0		55.6	-

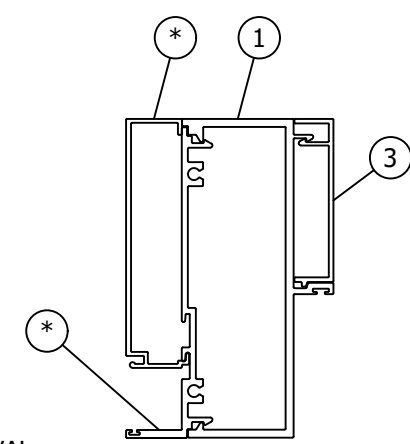


$$\text{WIDTH (W)} = \frac{W1}{2} + \frac{W2}{4}$$

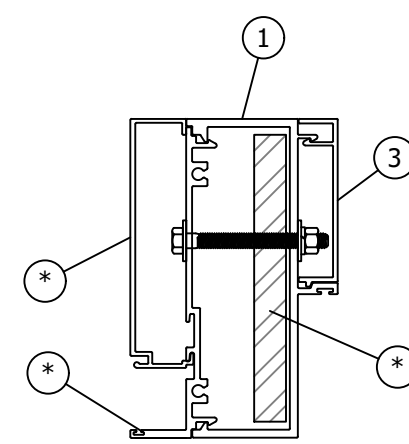
$$\text{WIDTH (W)} = \frac{W1}{2} + \frac{W2}{2}$$



$$\text{WIDTH (W)} = \frac{W1}{2} + \frac{W2}{2}$$



MULLION 1 (NON-REINFORCED)



MULLION 2 (REINFORCED)

* SEE SERIES 500 DETAILS UNDER SEPARATE APPROVAL

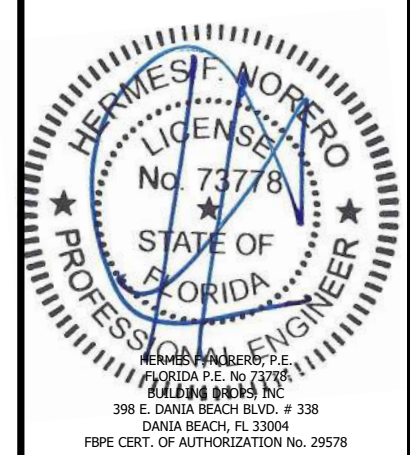


7905 NW 77TH AVE
MEDLEY, FL 33166
PH: (305) 713-1871 FX: (305) 713-1872

TITLE: SERIES 600 OUTSWING
COMMERCIAL DOOR
(HVHZ)(IMPACT)
MULLION LOAD JAMB CAPACITY
PREPARED BY: BUILDING DROPS, INC.
398 E. DANIA BEACH BLVD., STE. 338
DANIA BEACH, FL 33004
PH: (954)399-8478
FAX: (954)744-4738
WEB: www.buildingdrops.com

REMARKS	BY	DATE

THE INSTALLATION DETAILS DESCRIBED HEREIN ARE GENERIC AND MAY NOT REFLECT ACTUAL CONDITIONS FOR A SPECIFIC SITE. IF SITE CONDITIONS CAUSE INSTALLATION TO DEVIATE FROM THE REQUIREMENTS DETAILED HEREIN, A LICENSED ENGINEER OR ARCHITECT SHALL PREPARE SITE SPECIFIC DOCUMENTS FOR USE WITH THIS DOCUMENT.



HERMES F. ACERO, P.E.
FLORIDA P.E. No. 73778
BUILDING DROPS, INC.
398 E. DANIA BEACH BLVD. # 338
DANIA BEACH, FL 33004
FBPE CERT. OF AUTHORIZATION No. 29578

FL #: **FL38771**
DATE: **06.14.21**
DWG. BY: **ER** | CHK. BY: **HFN**
SCALE: **NTS**
DWG. #: **ECI030**

SHEET: **11** OF 14



7905 NW 77TH AVE
 MEDLEY, FL 33166
 PH: (305) 713-1871 FX: (305) 713-1872

TITLE: SERIES 600 OUTSWING
 COMMERCIAL DOOR
 (HVHZ)(IMPACT)

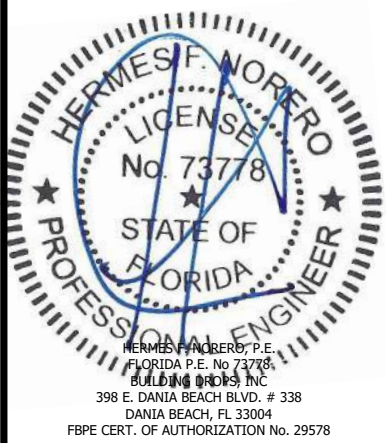
INSTALLATION NOTES &
 ANCHOR DETAILS

PREPARED BY:
BUILDING DROPS, INC.
 398 E. DANIA BEACH BLVD., STE. 338
 DANIA BEACH, FL 33004
 PH: (954)399-8478
 FAX: (954)744-4738
 WEB: www.buildingdrops.com



REMARKS	BY	DATE

THE INSTALLATION DETAILS DESCRIBED HEREIN ARE GENERIC AND MAY NOT REFLECT ACTUAL CONDITIONS FOR A SPECIFIC SITE. IF SITE CONDITIONS CAUSE INSTALLATION TO DEVIATE FROM THE REQUIREMENTS DETAILED HEREIN, A LICENSED ENGINEER OR ARCHITECT SHALL PREPARE SITE SPECIFIC DOCUMENTS FOR USE WITH THIS DOCUMENT.



HERMES F. NORERO, P.E.
 FLORIDA P.E. No. 73778
 BUILDING DROPS, INC.
 398 E. DANIA BEACH BLVD. # 338
 DANIA BEACH, FL 33004
 FBPE CERT. OF AUTHORIZATION No. 29578

FL #:
FL38771

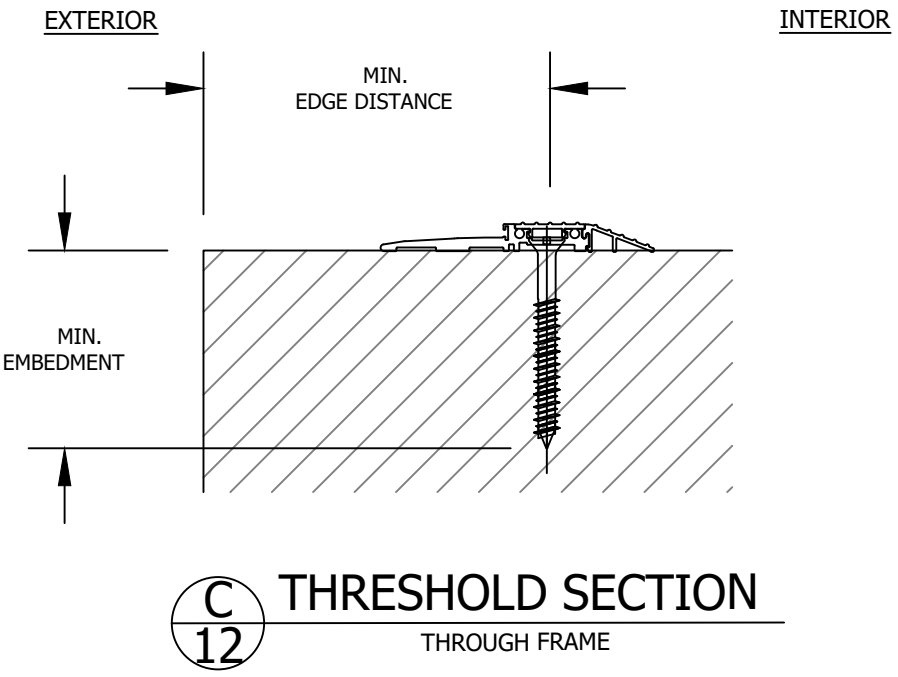
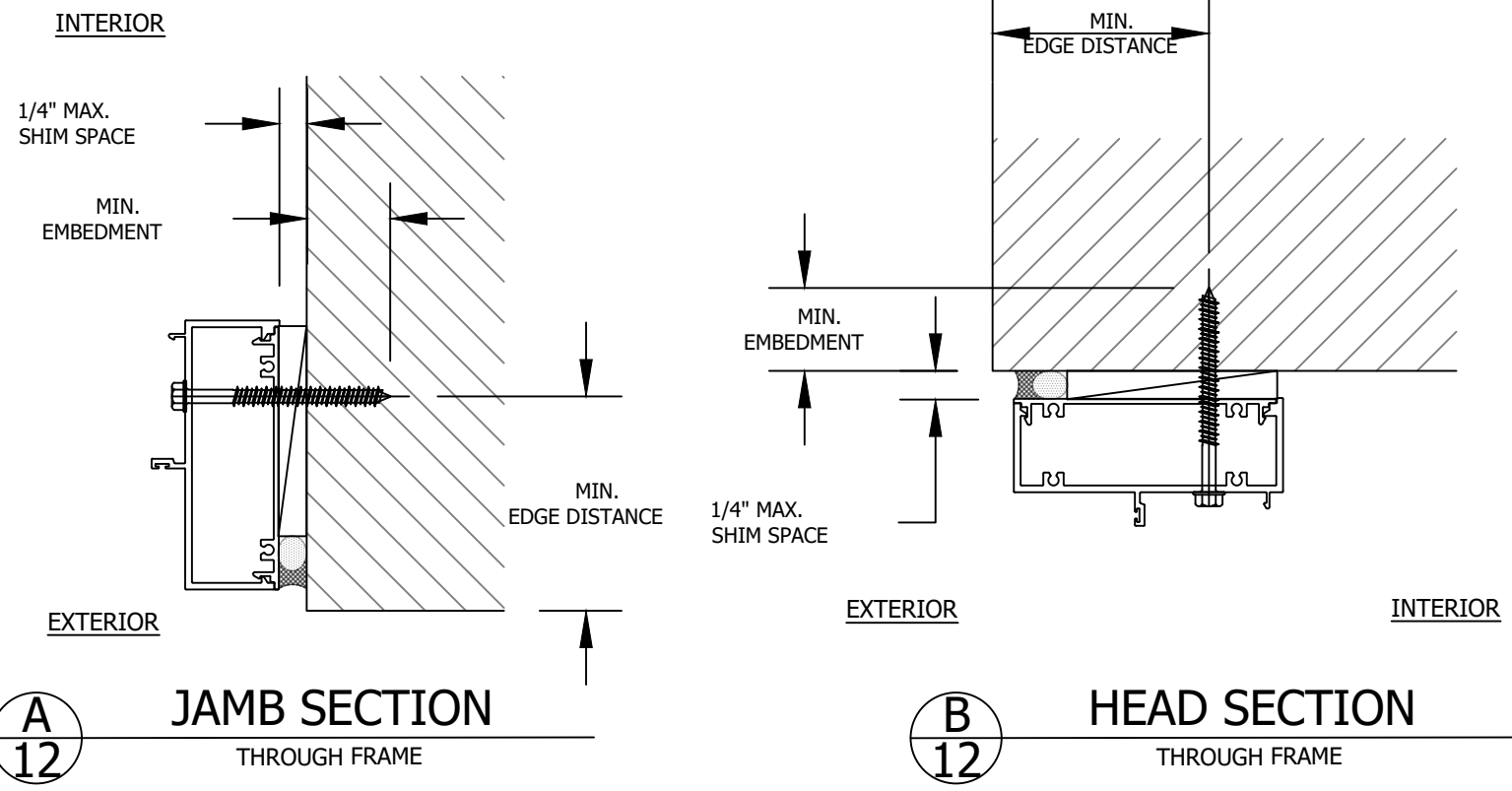
DATE: **06.14.21**

DWG. BY: **ER** | CHK. BY: **HFN**

SCALE: **NTS**

DWG. #: **ECI030**

SHEET:
12



- INSTALLATION NOTES:**
- ONE (1) INSTALLATION ANCHOR IS REQUIRED AT EACH ANCHOR LOCATION.
 - THE NUMBER OF INSTALLATION ANCHORS DEPICTED IS THE MINIMUM NUMBER OF ANCHORS TO BE USED FOR PRODUCT INSTALLATION OF THE MAXIMUM SIZE LISTED.
 - INSTALL INDIVIDUAL INSTALLATION ANCHORS WITHIN A TOLERANCE OF $\pm 1/4$ INCH THE DEPICTED LOCATION & SPACING IN THE ANCHOR LAYOUT DETAILS (I.E., WITHOUT CONSIDERATION OF TOLERANCES). TOLERANCES ARE NOT CUMULATIVE FROM ONE INSTALLATION ANCHOR TO THE NEXT.
 - SHIM AS REQUIRED AT EACH INSTALLATION ANCHOR WITH LOAD BEARING SHIM(S). MAXIMUM ALLOWABLE SHIM STACK TO BE 1/4 INCH. SHIM WHERE SPACE OF 1/16 INCH OR GREATER OCCURS. SHIM(S) SHALL BE CONSTRUCTED OF HIGH DENSITY PLASTIC OR BETTER.
 - FOR MASONRY OR CONCRETE OPENINGS, A 1X WOOD BUCK MAY BE USED (OPTIONAL) AS LONG AS THE MINIMUM EMBEDMENT AND EDGE DISTANCE REQUIREMENTS ARE STILL MET WITHIN THE CORRESPONDING HOST SUBSTRATE. SEE GENERAL NOTE #3 ON SHEET 1 FOR MORE INFORMATION.
 - MINIMUM EMBEDMENT AND EDGE DISTANCE EXCLUDE WALL FINISHES, INCLUDING BUT NOT LIMITED TO STUCCO, FOAM, BRICK VENEER, AND SIDING.
 - INSTALLATION ANCHORS AND ASSOCIATED HARDWARE MUST BE MADE OF CORROSION RESISTANT MATERIAL OR HAVE A CORROSION RESISTANT COATING.
 - FOR HOLLOW BLOCK AND GROUT FILLED BLOCK, DO NOT INSTALL INSTALLATION ANCHORS INTO MORTAR JOINTS. EDGE DISTANCE IS MEASURED FROM FREE EDGE OF BLOCK OR EDGE OF MORTAR JOINT INTO FACE SHELL OF BLOCK.
 - INSTALLATION ANCHORS SHALL BE INSTALLED IN ACCORDANCE WITH ANCHOR MANUFACTURER'S INSTALLATION INSTRUCTIONS, AND ANCHORS SHALL NOT BE USED IN SUBSTRATES WITH STRENGTHS LESS THAN THE MINIMUM STRENGTH SPECIFIED BY THE ANCHOR MANUFACTURER.

ANCHOR SCHEDULE					
METHOD	ANCHOR TYPE	SUBSTRATE	ANCHOR SCHEDULE	MIN. EMBEDMENT	MIN. EDGE DISTANCE
THROUGH FRAME	A	2XWOOD: MIN. SG= 0.55	5/16" ULTRACON	1.5"	1.5"
	B	METAL: 18 GAUGE STEEL, MIN. FY= 33KSI	5/16" SMS OR SELF DRILLING SCREW	1.75"	2.5"
	C	METAL: ALUMINUM MIN. 1/8" THICKNESS (6063-T5 MIN.)			
	D	CONCRETE: MIN. F'C= 3000 PSI OR MASONRY: CMU PER ASTM C90 MIN. 2000 PSI	5/16" ULTRACON	1.75"	2.5"

s:\projects\europa\industries inc\bc-20-0527.1 - fbc submittal commercial outswing aluminum door\dwgs\ec030 - #138771 - commercial swing door series 600 -2021-06-16.dwg
6/30/2021 12:35 PM

BILL OF MATERIALS				
ITEM #	PART NO.	DESCRIPTION	MATERIAL	MANUFACTURER
1	600-01	JAMBS	6063-T6	EURORAFT
2	600-02	HEAD	6063-T6	EURORAFT
3	600-03	FRAME COVER	6063-T6	EURORAFT
4	600-04	TRHESHOLD	6063-T6	EURORAFT
5	600-05	THRESHOLD ADAPTER	6063-T6	EURORAFT
6	600-06	THRESHOLD COVER	6063-T6	EURORAFT
7	600-07	RAMP	6063-T6	EURORAFT
8	600-09	DOOR STILE	6063-T6	EURORAFT
9	600-10	DOOR STILE	6063-T6	EURORAFT
10	600-11	TOP RAIL	6063-T6	EURORAFT
11	600-12	MEETING RAIL	6063-T6	EURORAFT
12	600-13	BOTTOM RAIL 8"	6063-T6	EURORAFT
13	600-15	RAIL COVER	6063-T6	EURORAFT
14	600-16	IG- GLAZING BEAD	6063-T6	EURORAFT
15	600-17	LAMINATED- GLAZING BEAD	6063-T6	EURORAFT
16	600-18	ASTRAGAL REINFORCEMENT	6063-T6	EURORAFT
17	600-19	HINGE REINFORCEMENT	6063-T5	EURORAFT
18	600-08	SHEAR BLOCK	6063-T5	EURORAFT
19		SETTING BLOCK	TPV	EXTRUSIONES, MPI
20		GASKET	EPDM, TPV	
21		GASKET	EPDM, TPV	EXTRUSIONES, MPI
22	600-14	ASTRAGAL ADAPTER	6063-T6	EURORAFT
23		BUTL HINGES		BY IDH
24		BUTL HINGES		BY MCKINNEY
25		CONTINUOUS HINGES		BY PEMKO
26		CONTINUOUS HINGES		BY ABH
27		ASSEMBLING SCREW #12 x 1.5 STAINLESS STEEL	STAINLESS STEEL	
28		ASSEMBLING SCREW #12 X 0.75	STAINLESS STEEL	
29		ASSEMBLING SCREW THRESHOLD #10 x 1.5	STAINLESS STEEL	
30		THREE POINT LOCK		ADAMS RITE
31		THREE POINT LOCK BY INTERLOCK		INTERLOCK
32		CONCEAL VERTICAL ROD PANIC DEVICE G-86		ADAM RITE
33		PILE WEATHERSEALS ULTRAFAB		ULTRA FAB
34		1/4" x 2" BOLT AND NUT		
35		CONCEAL VERTICAL ROD PANIC DEVICE SERIES 98 / 99		VON DUPRIN
36	600-20	BOTTOM RAIL 10"		EURORAFT



7905 NW 77TH AVE
MEDLEY, FL 33166
PH: (305) 713-1871 FX: (305) 713-1872

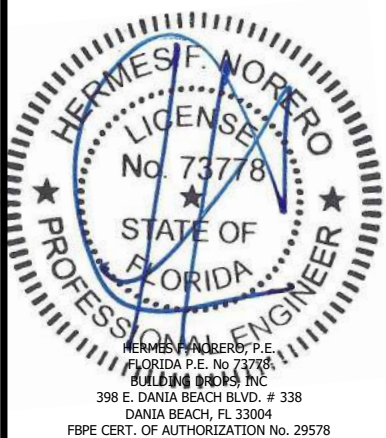
TITLE: SERIES 600 OUTSWING
COMMERCIAL DOOR
(HVHZ)(IMPACT)
BILL OF MATERIALS

PREPARED BY:
BUILDING DROPS, INC.
398 E. DANIA BEACH BLVD., STE. 338
DANIA BEACH, FL 33004
PH: (954)399-8478
FAX: (954)744-4738
WEB: www.buildingdrops.com



REMARKS	BY	DATE

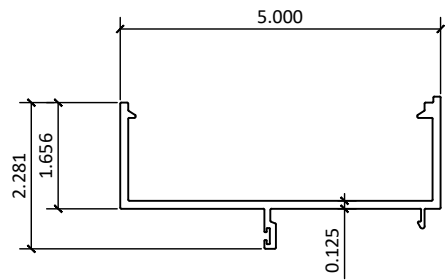
THE INSTALLATION DETAILS DESCRIBED HEREIN ARE GENERIC AND MAY NOT REFLECT ACTUAL CONDITIONS FOR A SPECIFIC SITE. IF SITE CONDITIONS CAUSE INSTALLATION TO DEVIATE FROM THE REQUIREMENTS DETAILED HEREIN, A LICENSED ENGINEER OR ARCHITECT SHALL PREPARE SITE SPECIFIC DOCUMENTS FOR USE WITH THIS DOCUMENT.



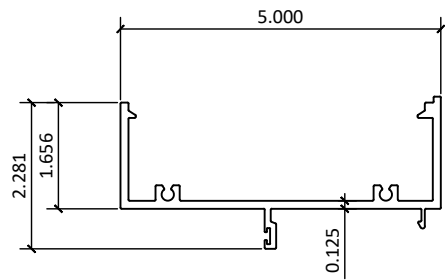
FL #:	FL38771
DATE:	06.14.21
DWG. BY:	ER
CHK. BY:	HFN
SCALE:	NTS
DWG. #:	ECI030

SHEET:
13
OF 14

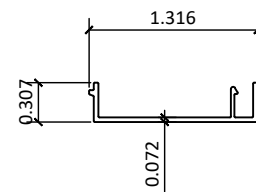
1 600-01 - JAMB



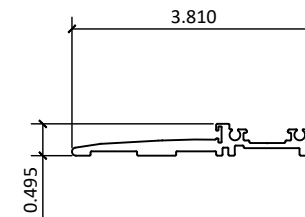
2 600-02 - HEAD



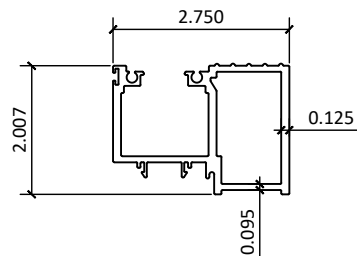
3 600-03 - FRAME COVER



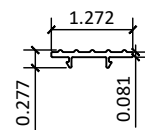
4 600-04 - THRESHOLD



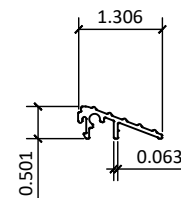
5 600-05 - THRESHOLD ADAPTER



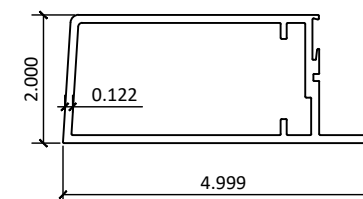
6 600-06 - THRESHOLD COVER



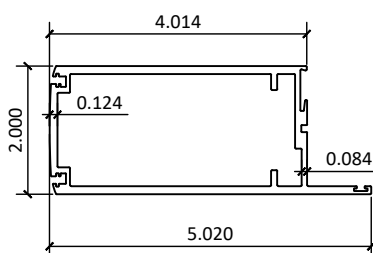
7 600-07 - RAMP



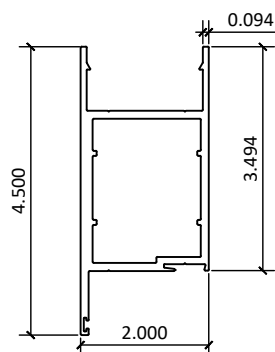
8 600-09 - DOOR STILE



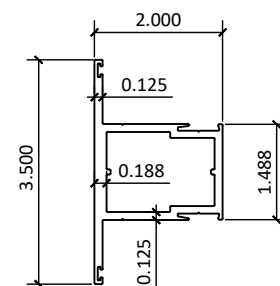
9 600-10 - DOOR STILE



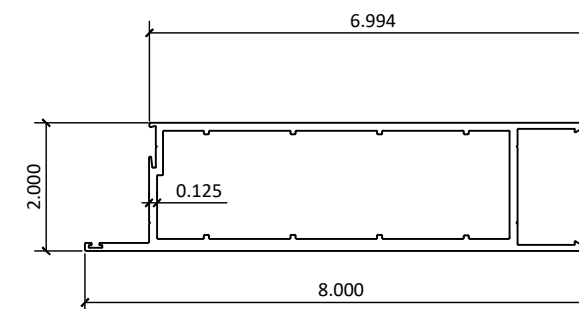
10 600-11 - TOP RAIL



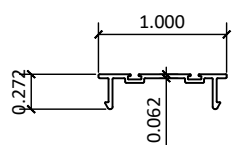
11 600-12 - MEETING RAIL - OPTIONAL



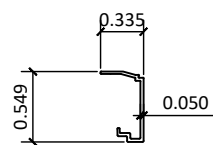
12 600-13 - BOTTOM RAIL 8"



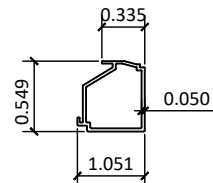
13 600-15 - RAIL COVER



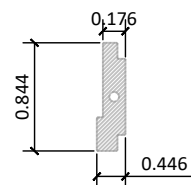
14 600-16 - IG GLAZING BEAD



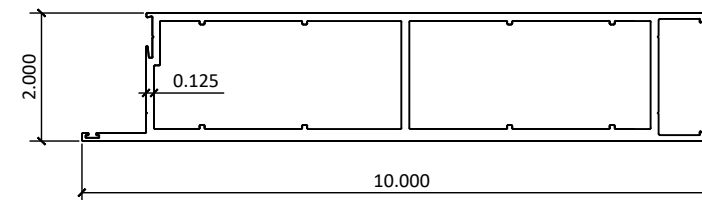
15 600-17 - LAM. GLAZING BEAD



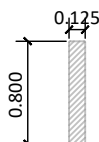
16 600-18 - ASTRAGAL REINFORCEMENT



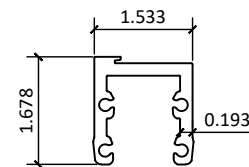
36 600-20 - BOTTOM RAIL 10" OPTIONAL



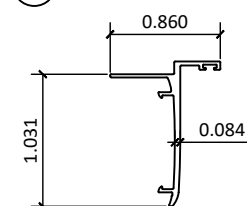
17 600-19 - HINGE REINFORCEMENT



18 600-08 - SHEAR BLOCK



19 600-14 - ASTRAGAL ADAPTER



7905 NW 77TH AVE
MEDLEY, FL 33166
PH: (305) 713-1871 FX: (305) 713-1872

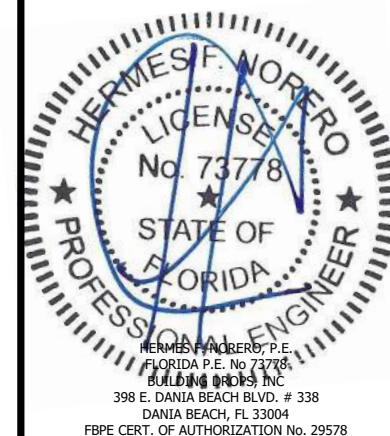
TITLE: SERIES 600 OUTSWING
COMMERCIAL DOOR
(HVHZ)(IMPACT)
COMPONENTS

PREPARED BY:
BUILDING DROPS, INC.
398 E. DANIA BEACH BLVD., STE. 338
DANIA BEACH, FL 33004
PH: (954) 399-8478
FAX: (954) 744-4738
WEB: www.buildingdrops.com



REMARKS	BY	DATE

THE INSTALLATION DETAILS DESCRIBED HEREIN ARE GENERIC AND MAY NOT REFLECT ACTUAL CONDITIONS FOR A SPECIFIC SITE. IF SITE CONDITIONS CAUSE INSTALLATION TO DEVIATE FROM THE REQUIREMENTS DETAILED HEREIN, A LICENSED ENGINEER OR ARCHITECT SHALL PREPARE SITE SPECIFIC DOCUMENTS FOR USE WITH THIS DOCUMENT.



HERMES F. MORERO, P.E.
FLORIDA P.E. No. 73778
BUILDING DROPS, INC.
398 E. DANIA BEACH BLVD. # 338
DANIA BEACH, FL 33004
FBPE CERT. OF AUTHORIZATION No. 29578

FL #: **FL38771**

DATE: **06.14.21**

DWG. BY: **ER** | CHK. BY: **HFN**

SCALE: **NTS**

DWG. #: **ECI030**

SHEET: **14**

OF 14

s:\projects\eurocraft\industries inc\fbz-20-0527.1 - fbc submittal commercial outswing aluminum door\dwgs\ec030 - f38771 - commercial swing door series 600 - 2021-06-16.dwg
6/30/2021 12:35 PM